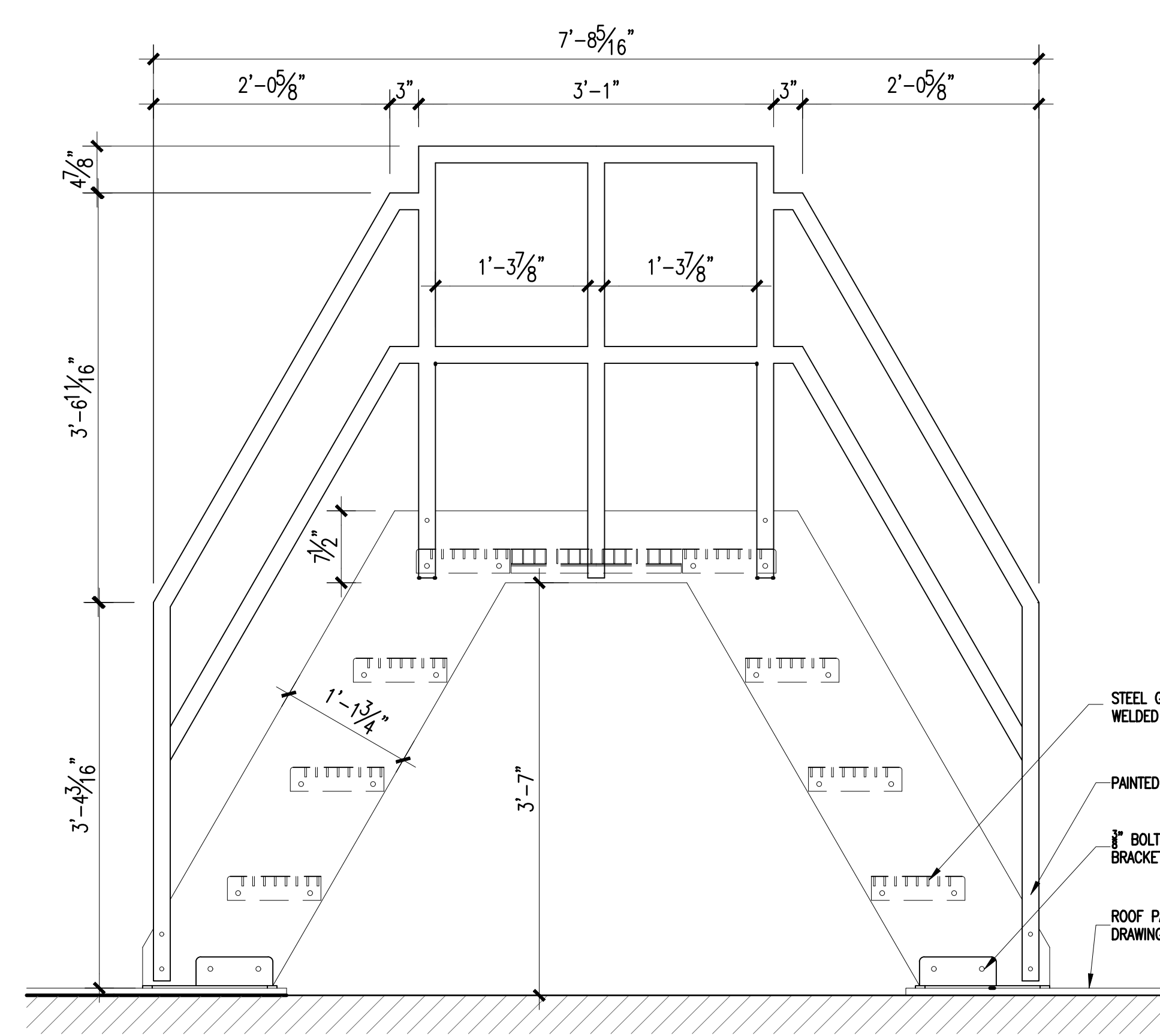
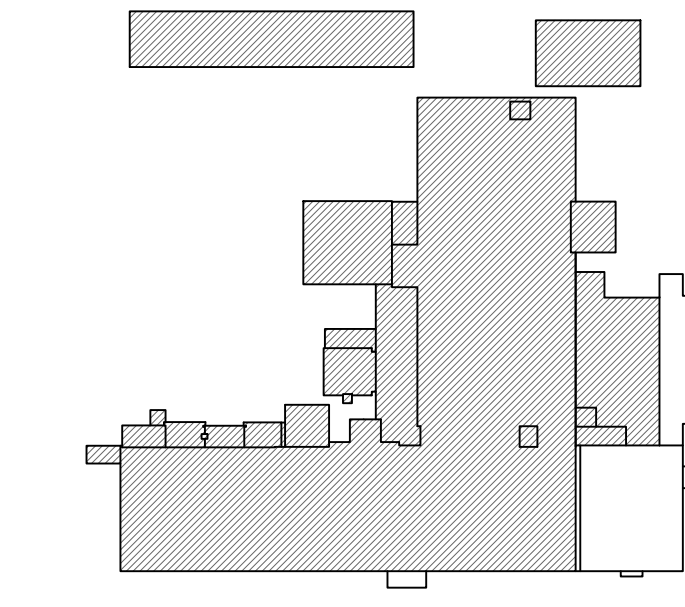
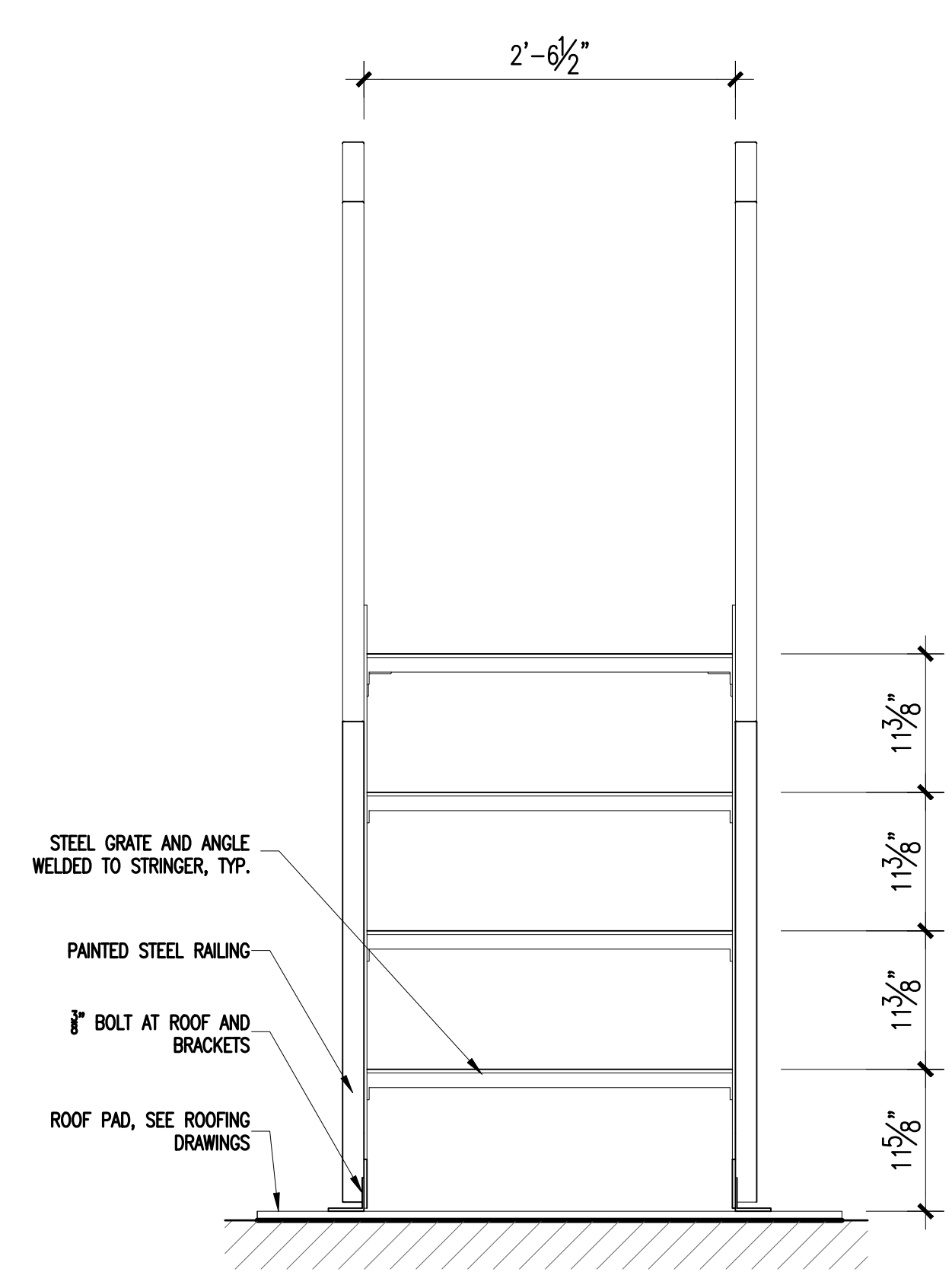


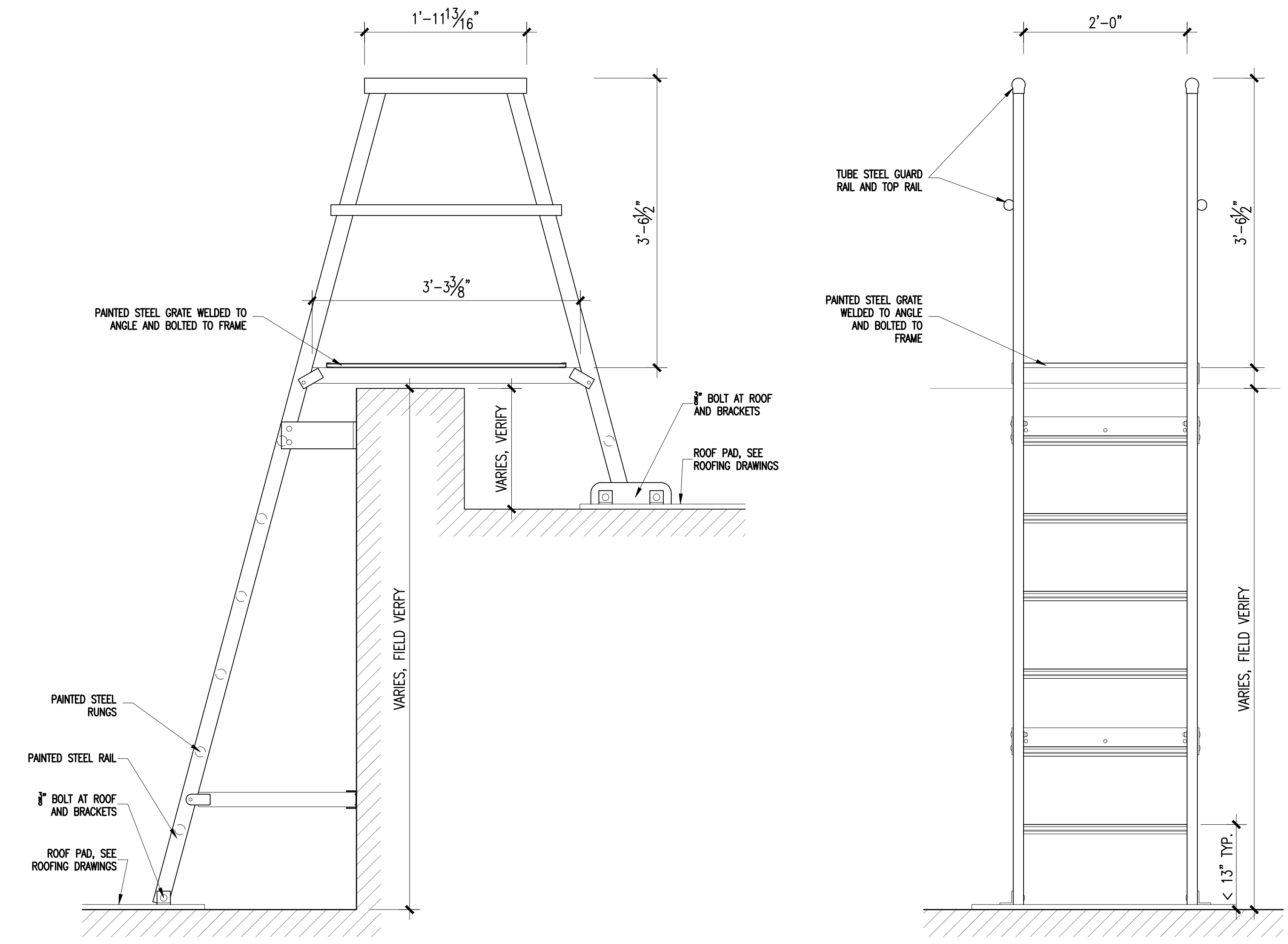
number	item	date



1 ROOF STAIR SIDE ELEVATION  
SCALE: 1" = 1'-0"

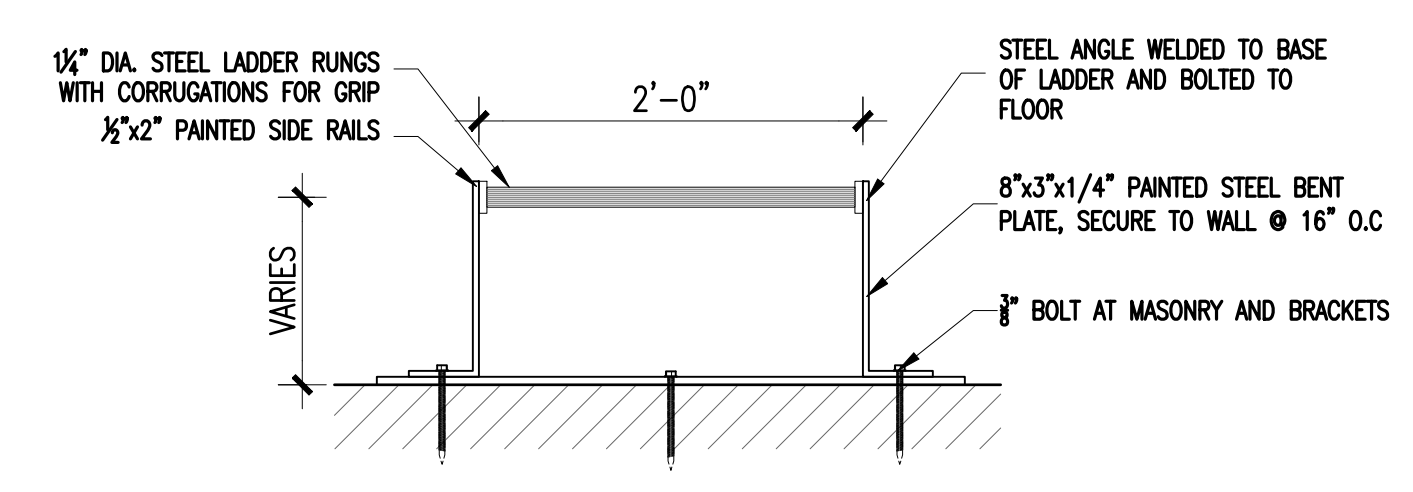


2 ROOF STAIR FRONT ELEVATION  
SCALE: 1" = 1'-0"

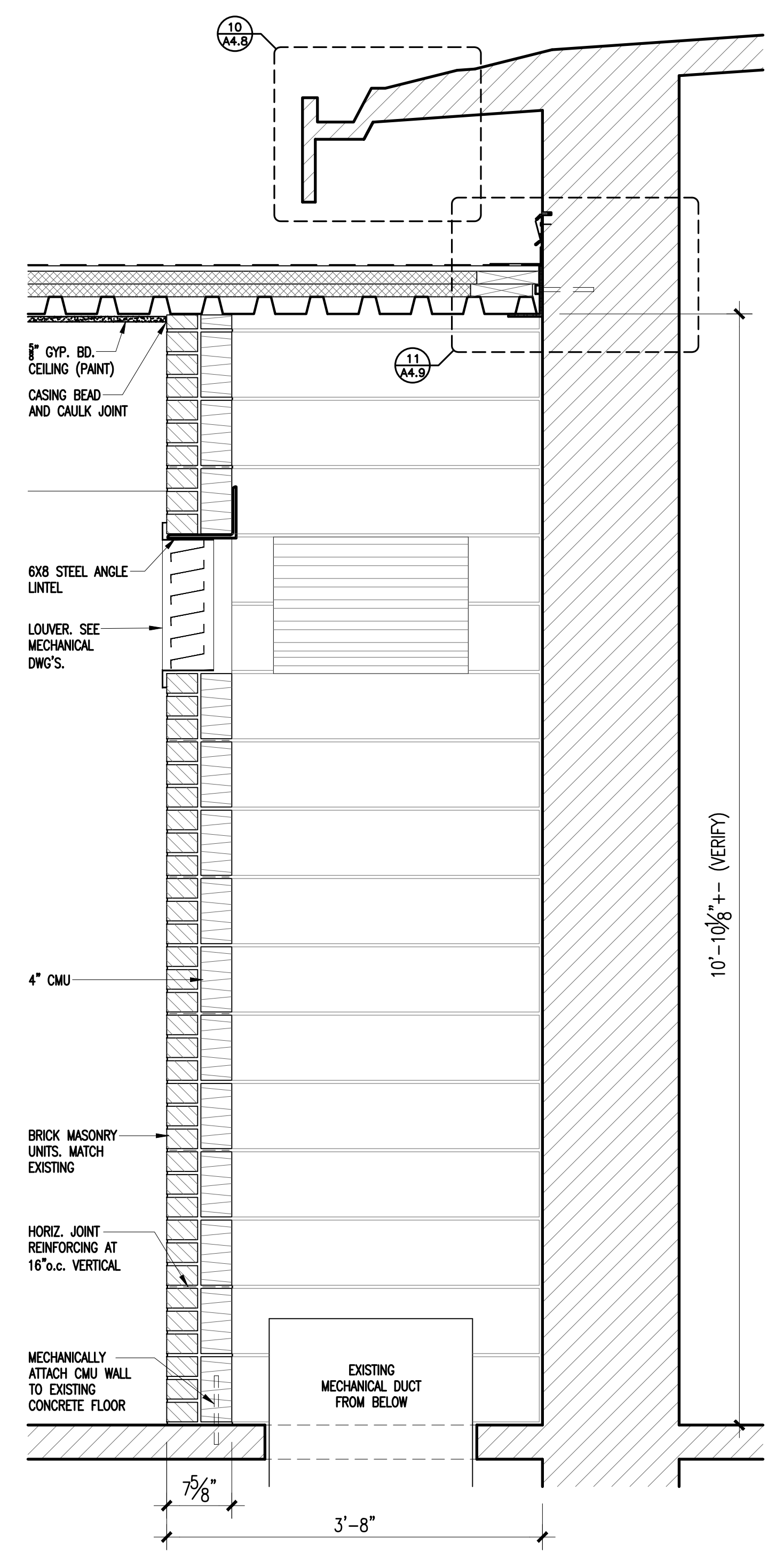


3 ROOF STAIR SIDE ELEVATION  
SCALE: 1" = 1'-0"

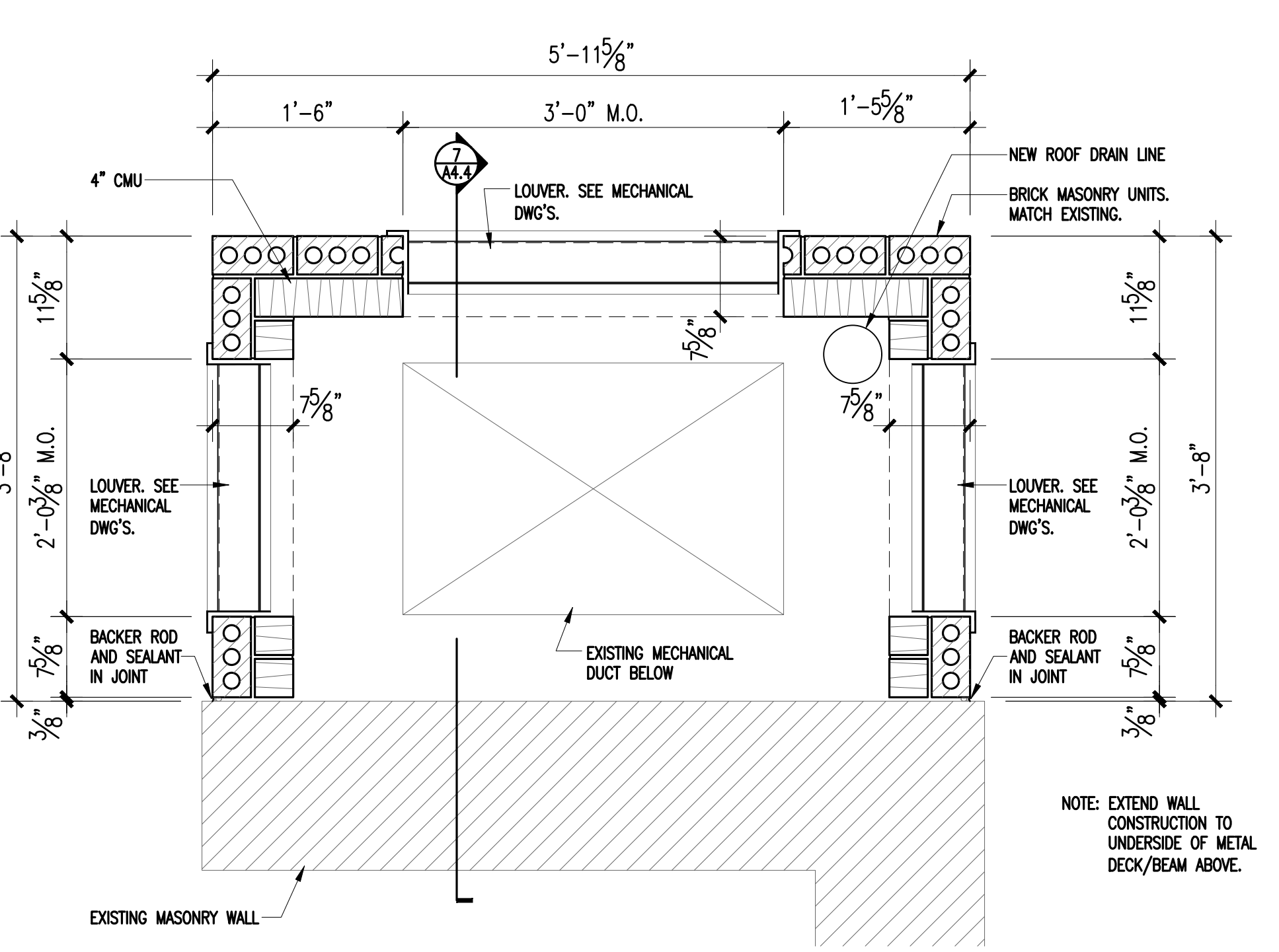
4 ROOF LADDER FRONT ELEVATION  
SCALE: 1" = 1'-0"



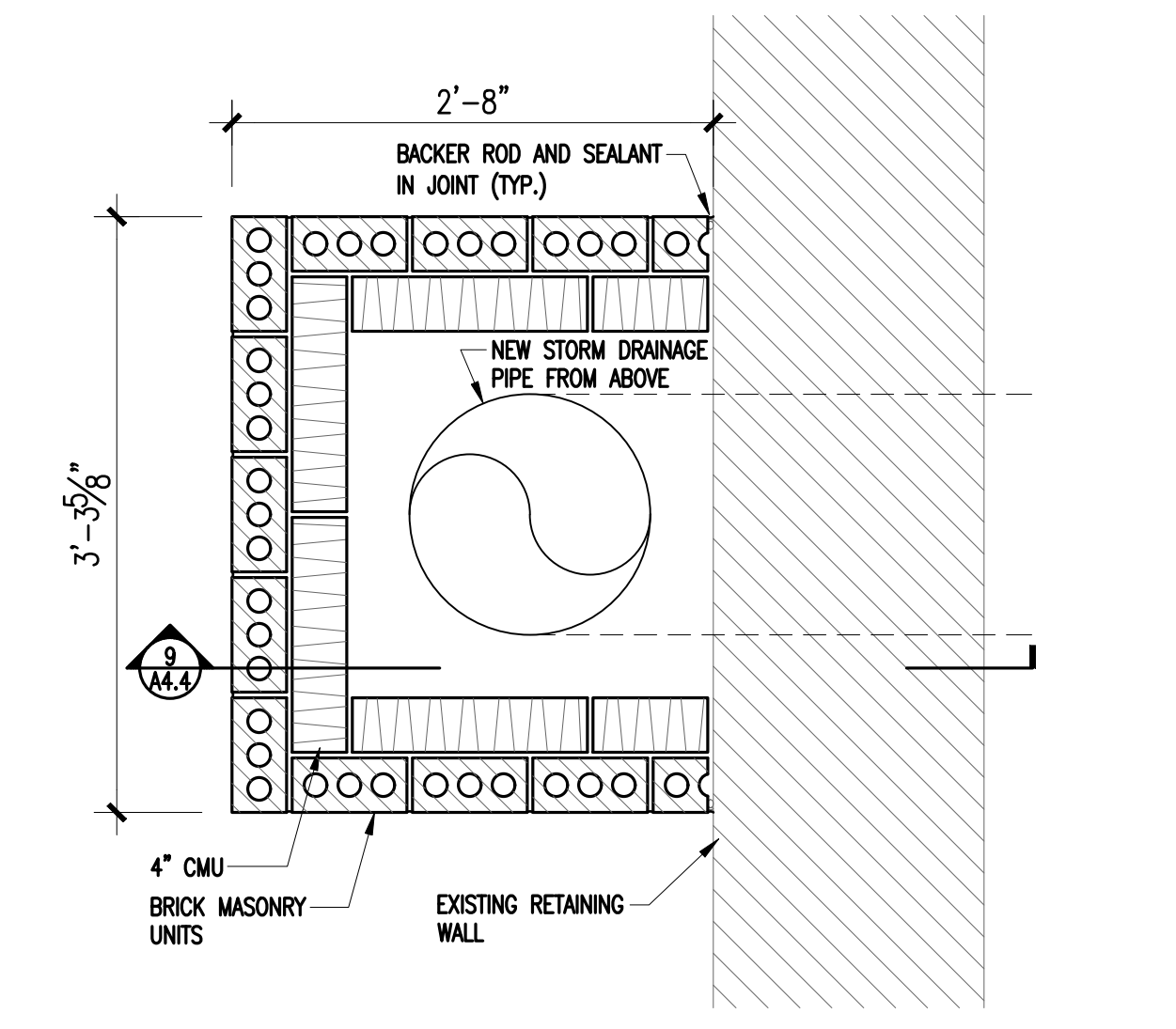
5 ROOF LADDER PLAN DETAIL  
SCALE: 1" = 1'-0"



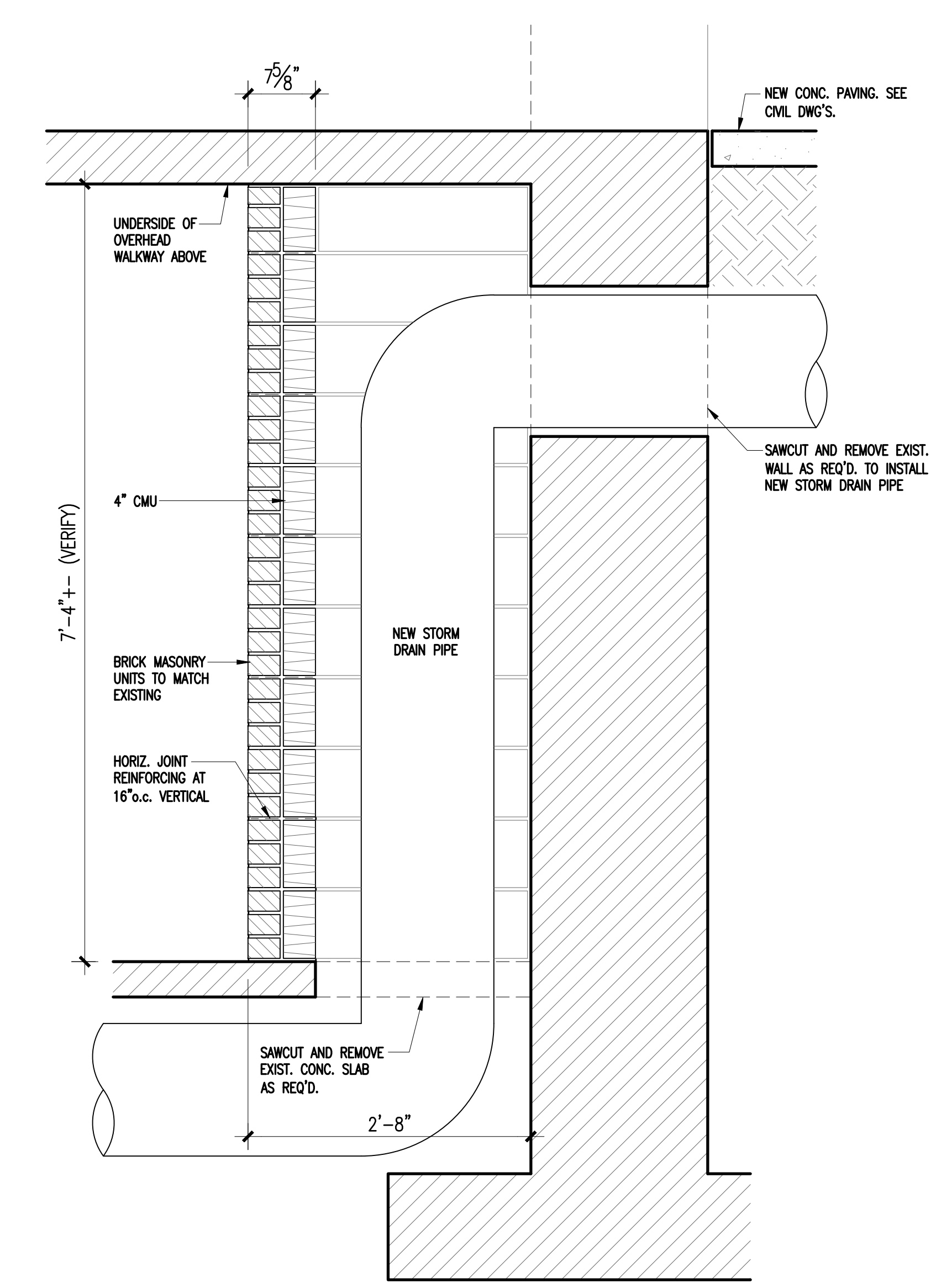
7 SECTION AT DUCT ENCLOSURE  
SCALE: 1" = 1'-0"



6 PLAN DETAIL AT DUCT ENCLOSURE  
SCALE: 1" = 1'-0"



8 PLAN DETAIL AT DRAIN PIPE ENCLOSURE  
SCALE: 1" = 1'-0"



9 SECTION AT DRAIN PIPE ENCLOSURE  
SCALE: 1" = 1'-0"