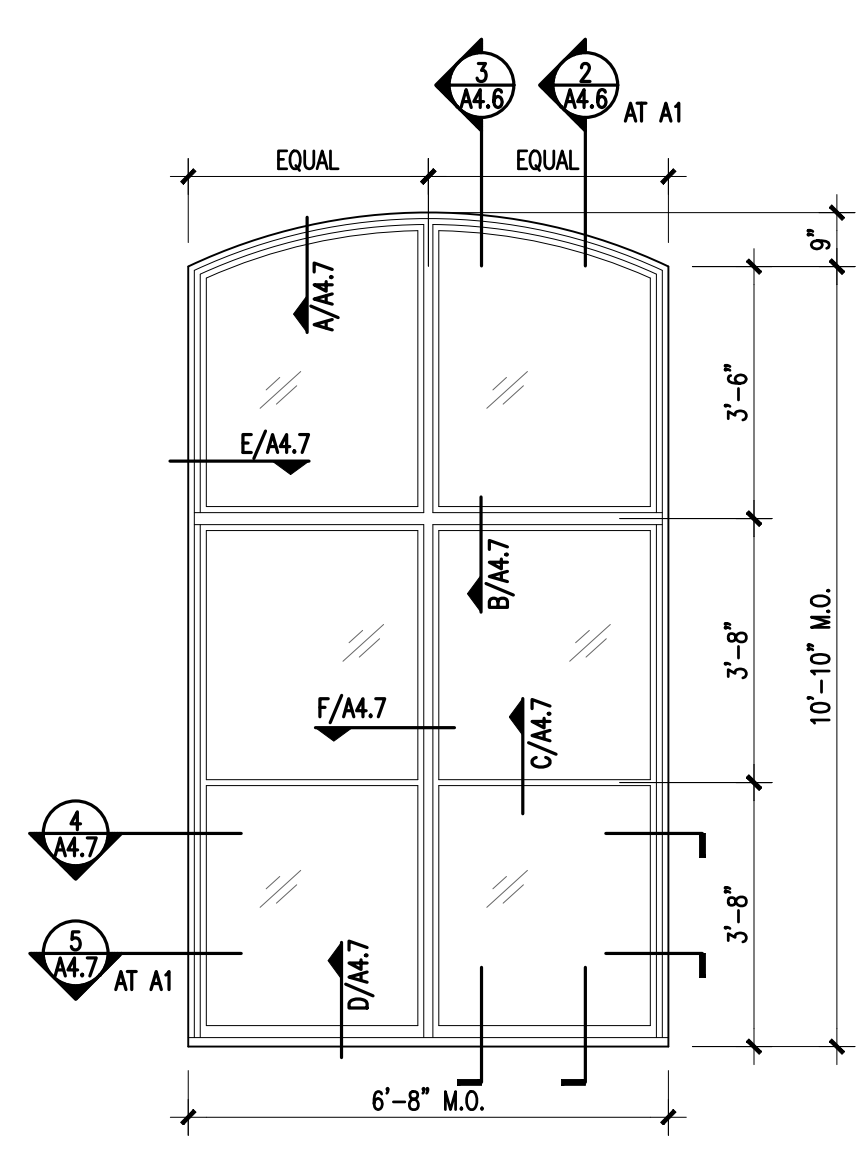
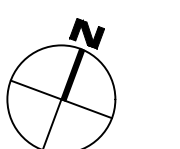
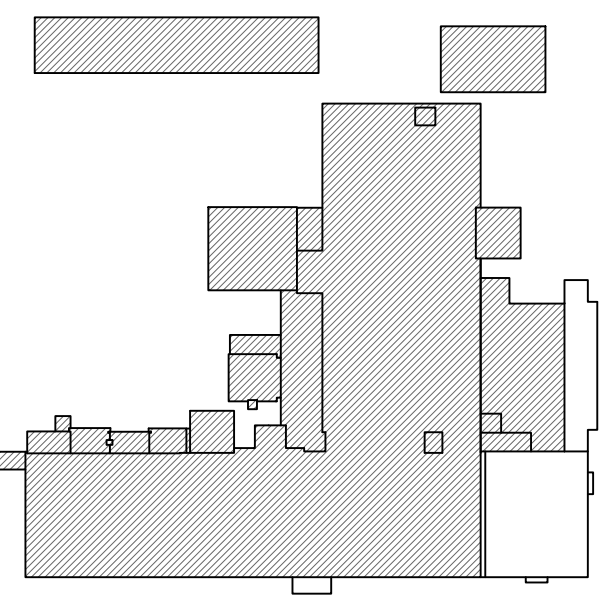
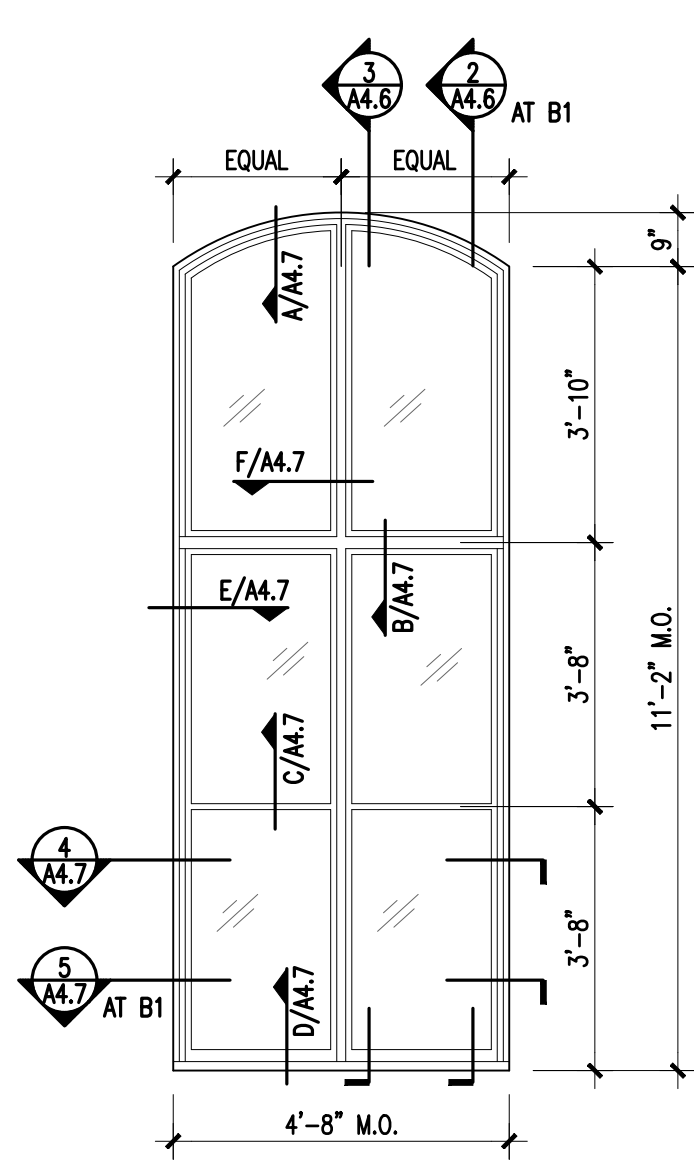


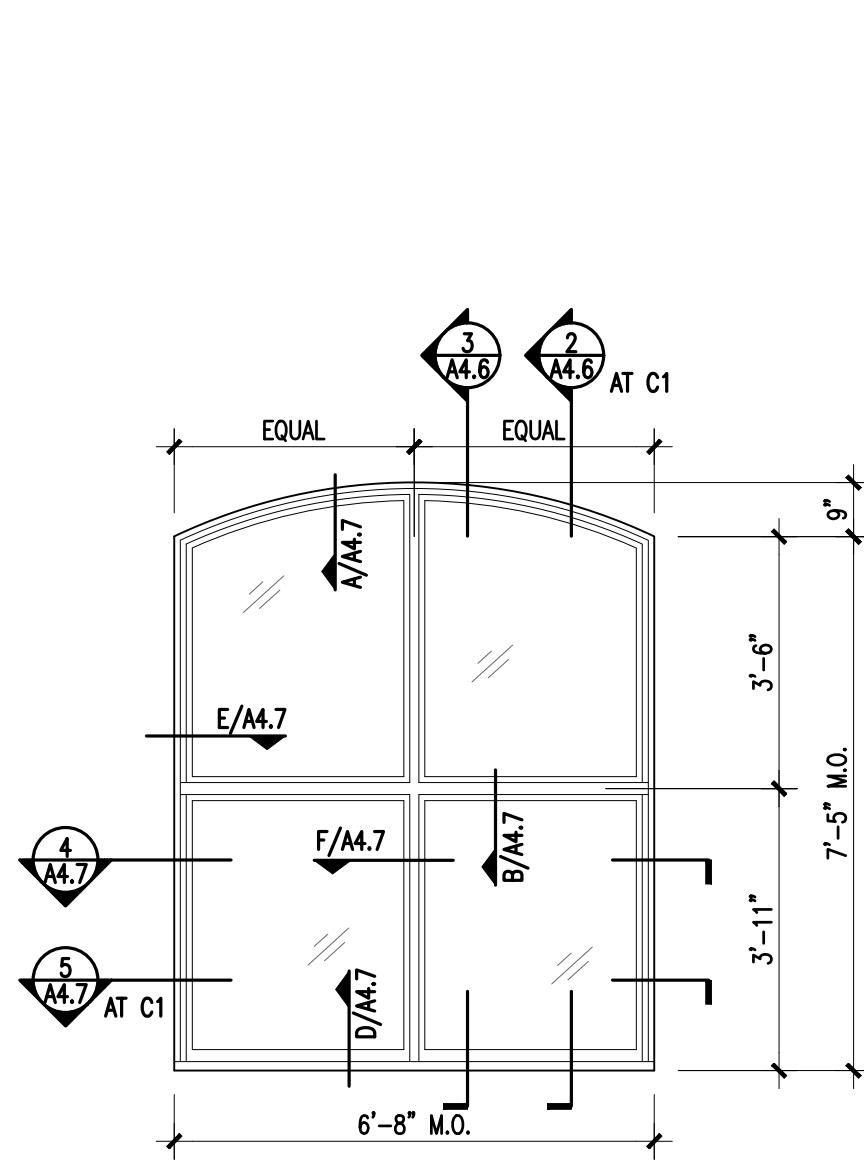
number	item	date



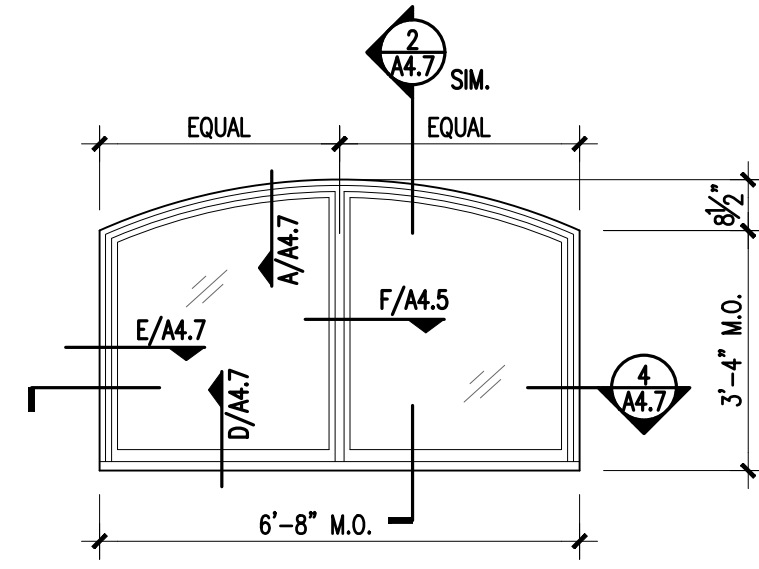
A 1" INSULATED GLASS LOW-E
A1 1" INSULATED GLASS LOW-E (INSIDE BLACK)
A2 1/2" CLEAR TEMP. GLASS



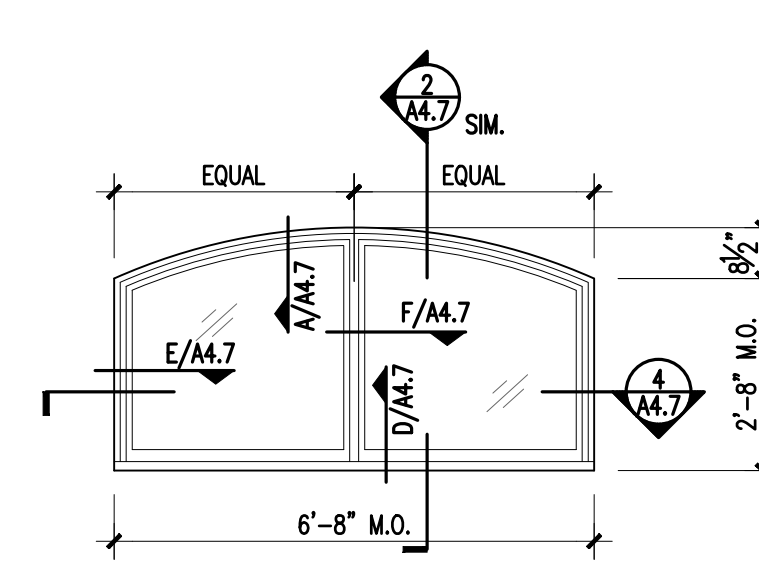
B 1" INSULATED GLASS LOW-E
B1 1" INSULATED GLASS LOW-E (INSIDE BLACK)
B2 1/2" CLEAR TEMP. GLASS



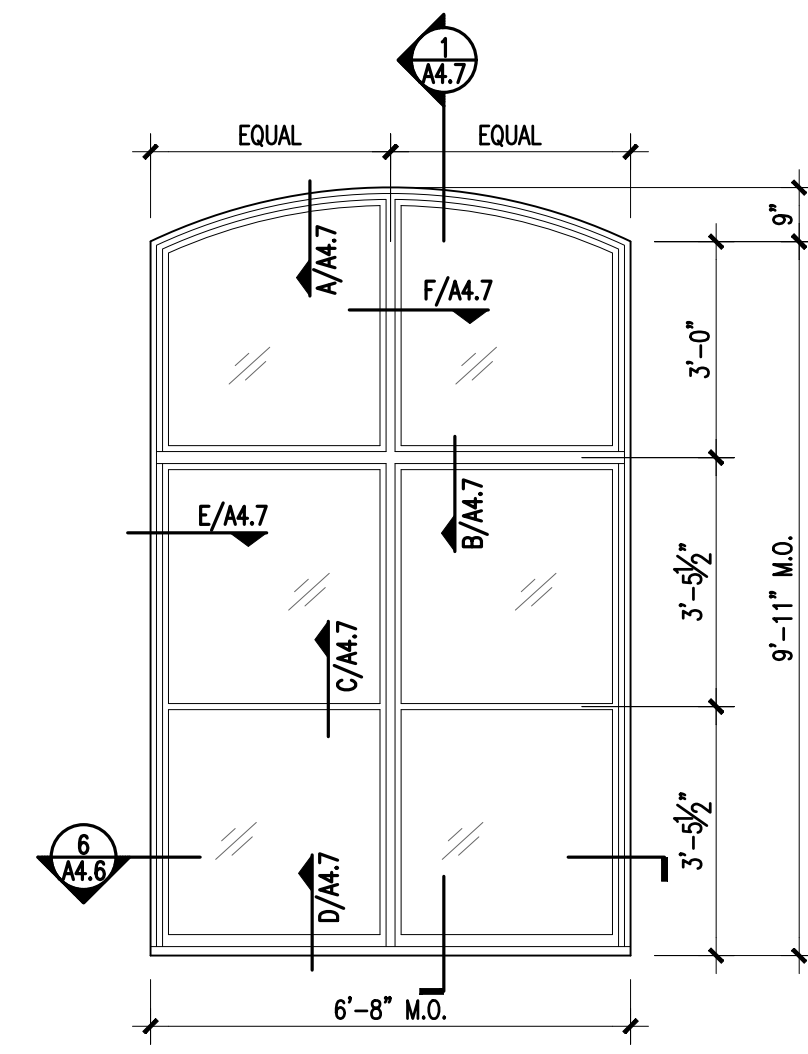
C 1" INSULATED GLASS LOW-E
C1 1" INSULATED GLASS LOW-E (INSIDE BLACK)



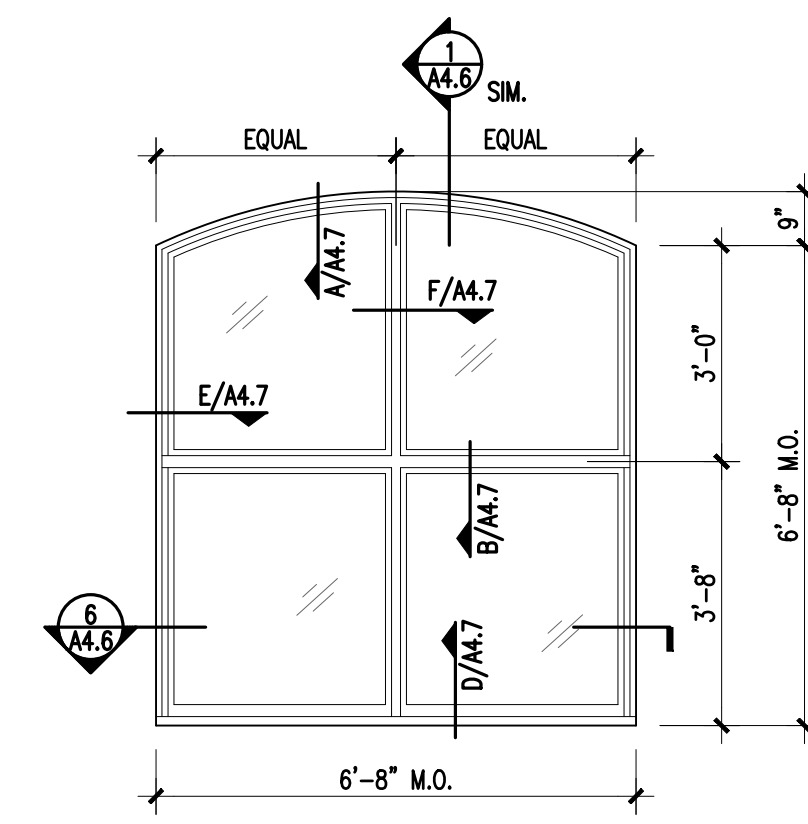
D 1" INSULATED GLASS LOW-E



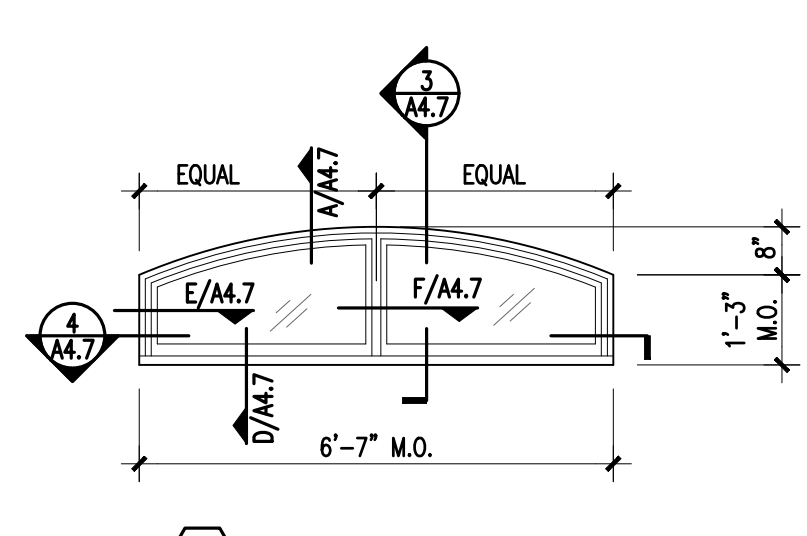
E 1" INSULATED GLASS LOW-E



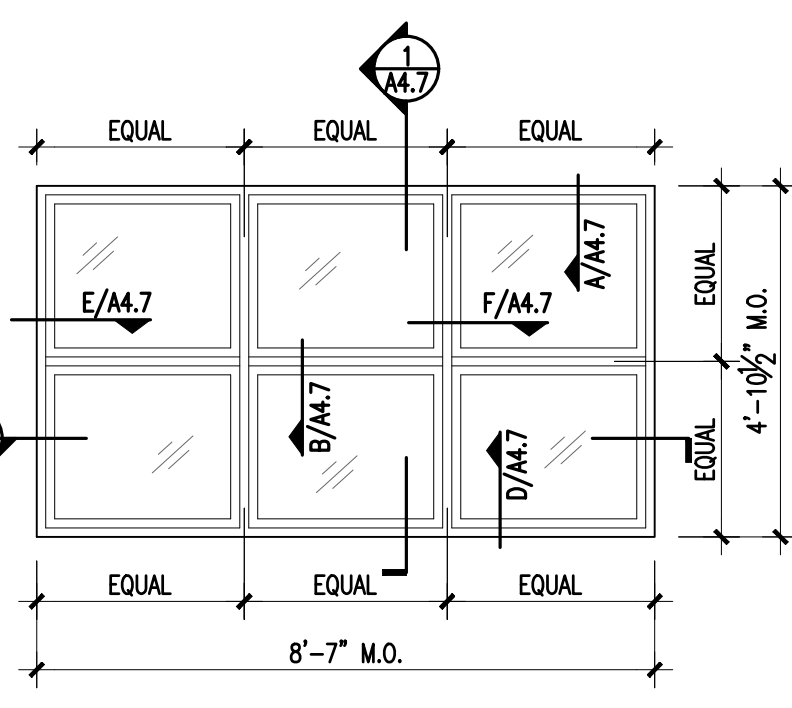
M 1" INSULATED GLASS



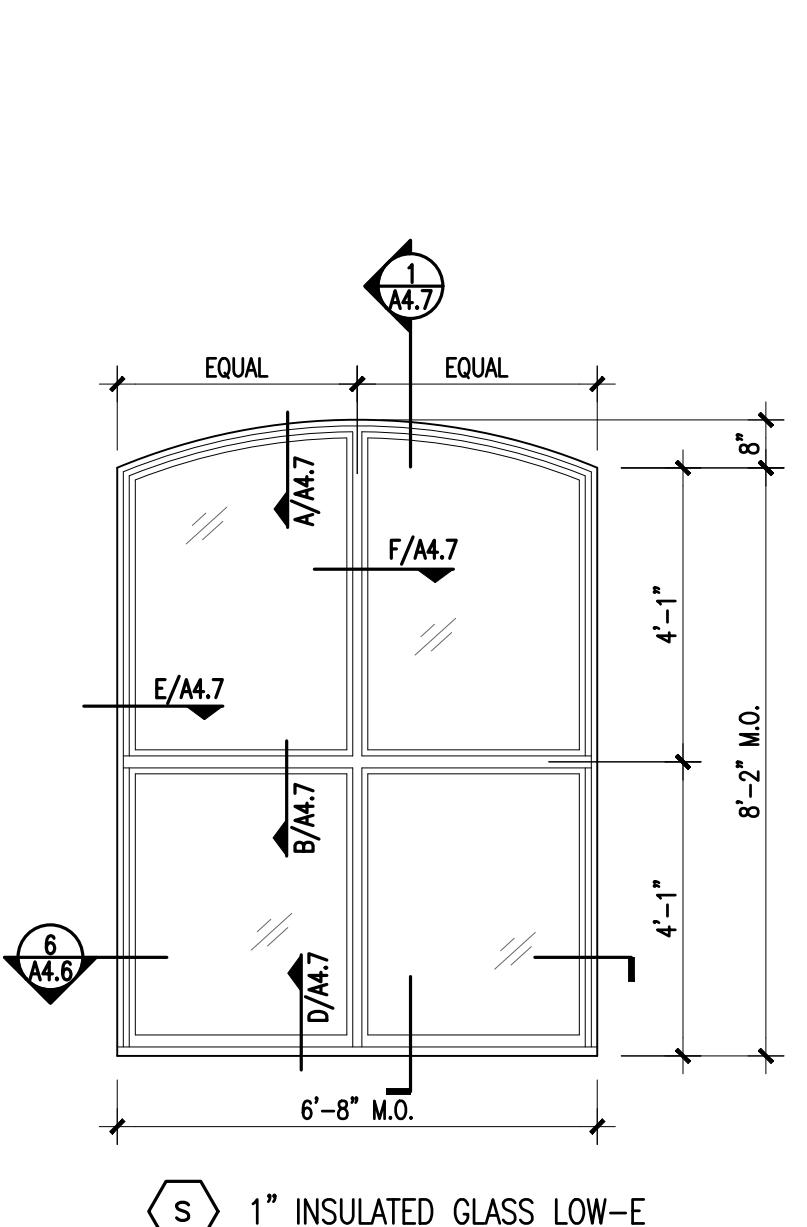
N 1" INSULATED GLASS LOW-E



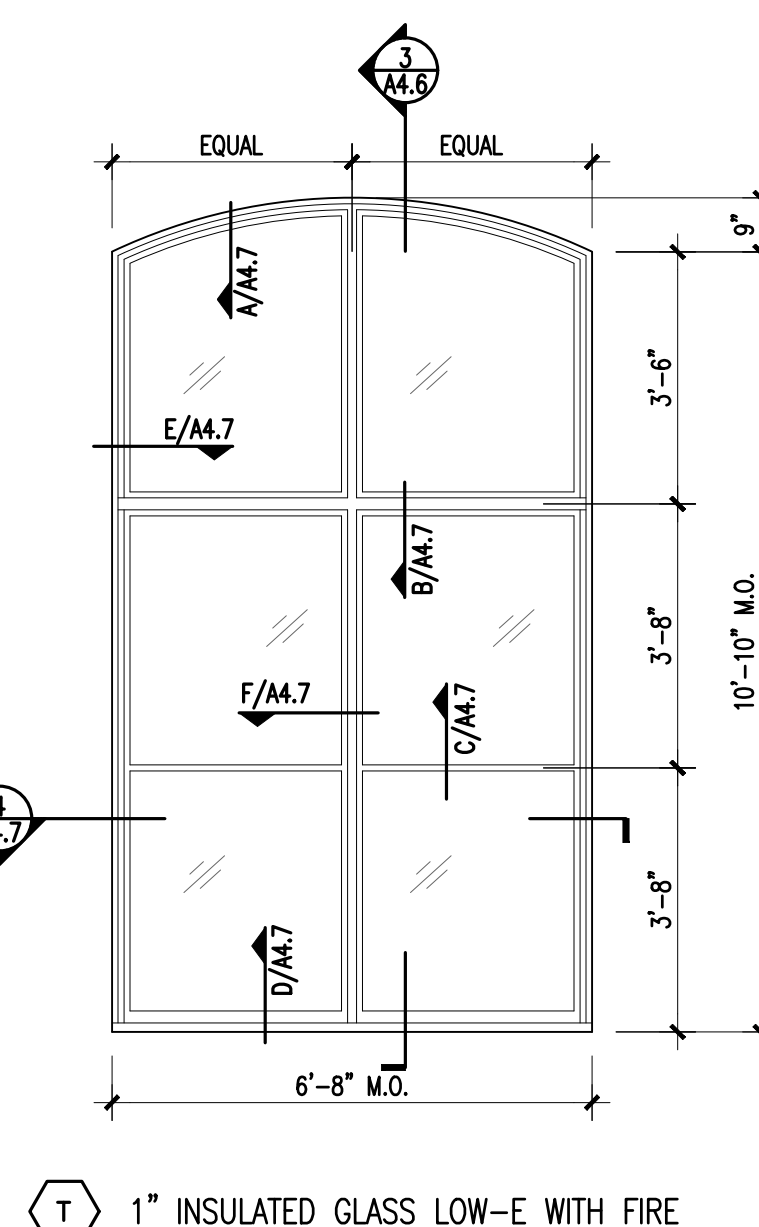
P 1" INSULATED GLASS LOW-E



R 1" INSULATED GLASS LOW-E



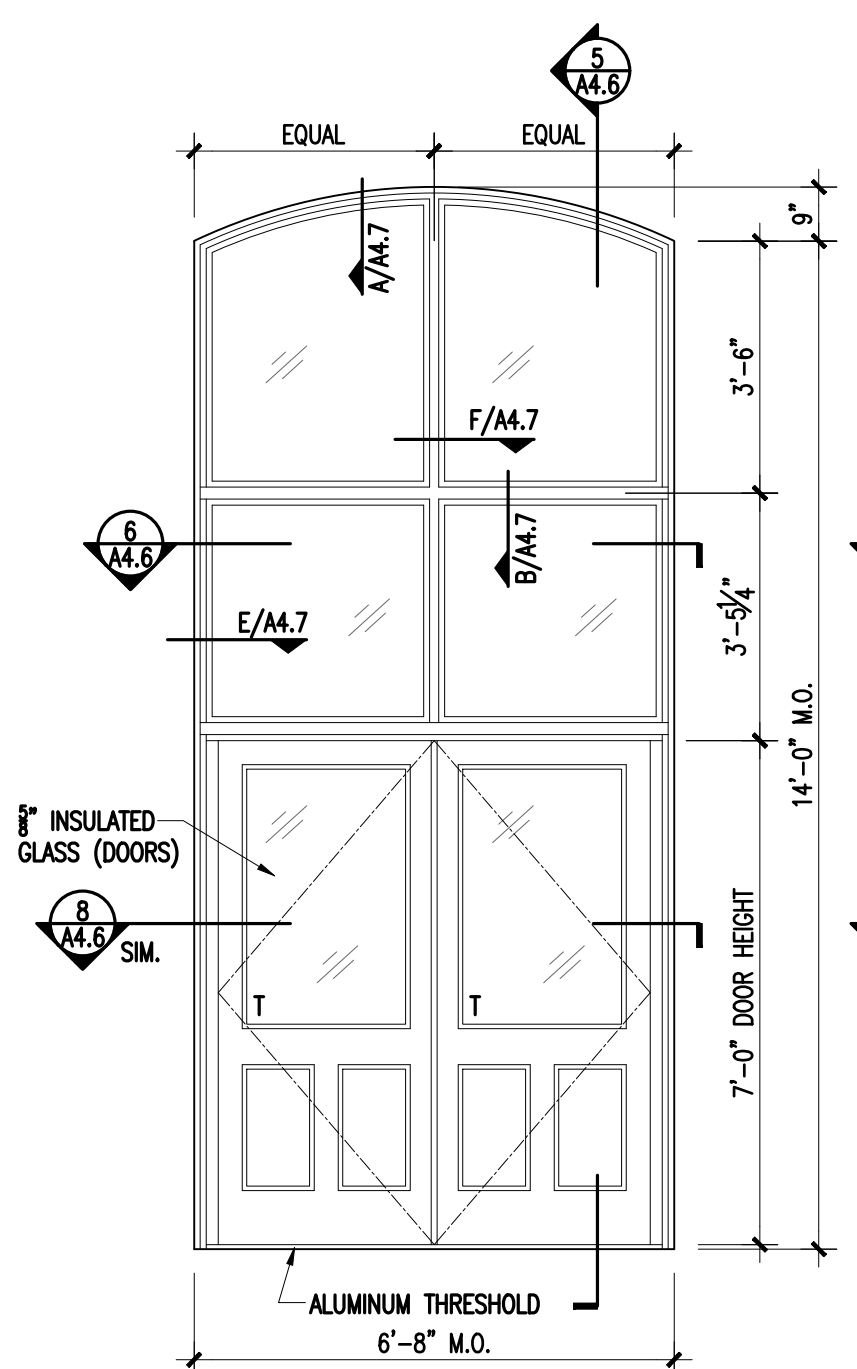
S 1" INSULATED GLASS LOW-E



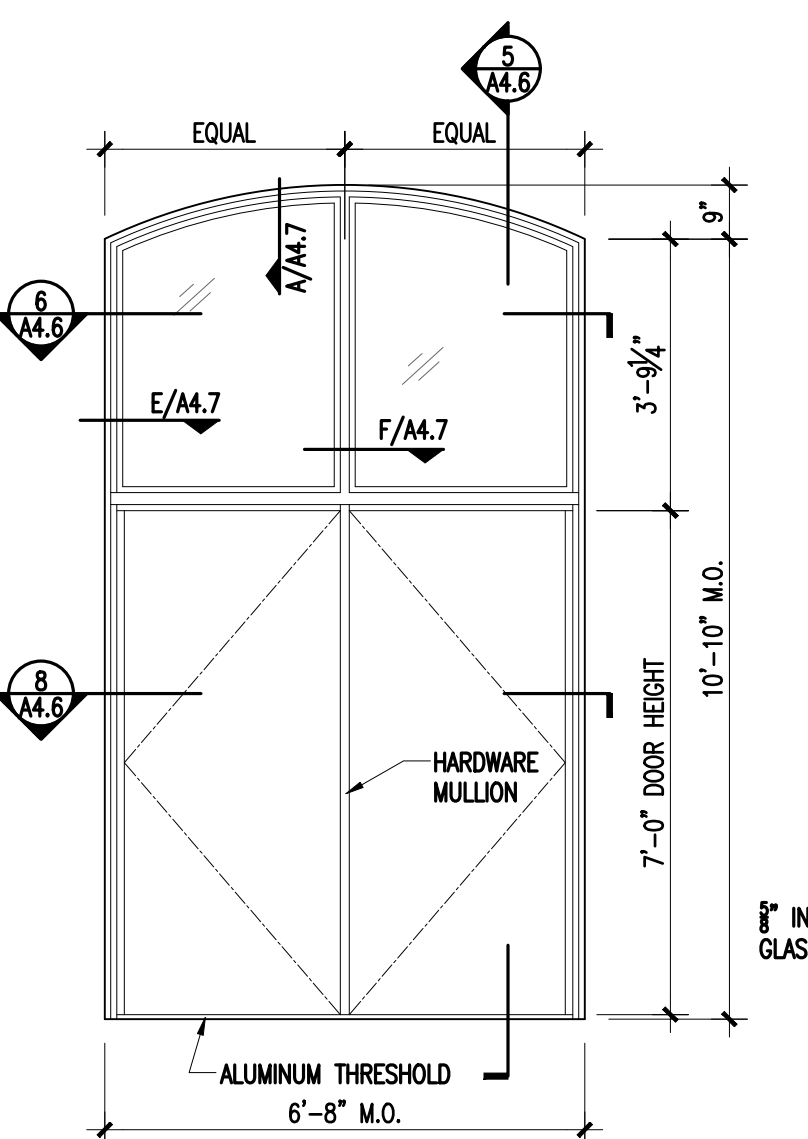
T 1" INSULATED GLASS LOW-E WITH FIRE SHUTTER

1 WINDOW ELEVATIONS

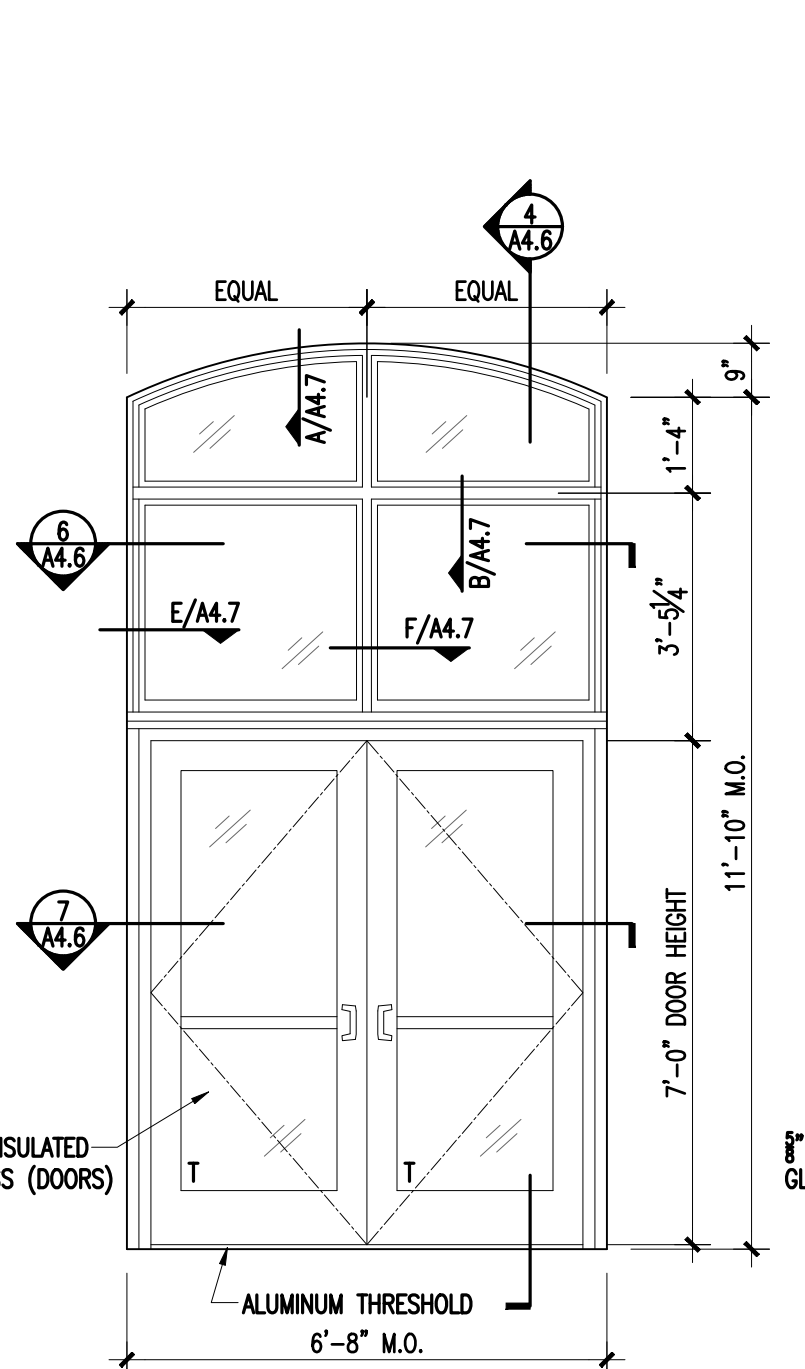
- NOTES:
- WINDOW UNITS ARE FIXED.
 - 1" INSULATED GLASS LOW-E EXCEPT WHERE INDICATED OTHERWISE.
 - ALL WINDOW DIMENSIONS ARE +/- GENERAL CONTRACTOR SHALL VERIFY ALL WINDOW MASONRY OPENINGS PRIOR TO WINDOW FABRICATION.
 - ALL DOORS SHALL MATCH EXISTING DOORS IN SIZE, MATERIAL AND APPEARANCE.



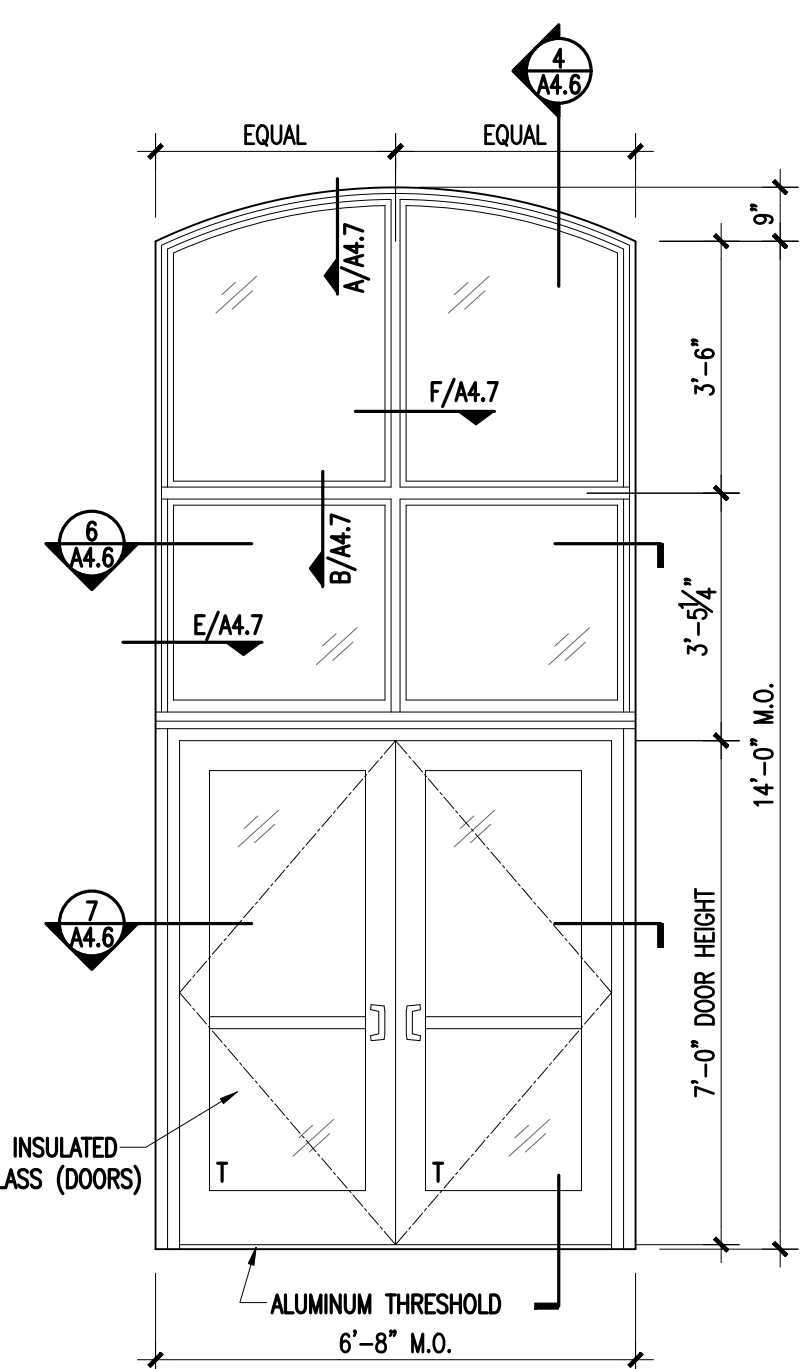
T 1" INSULATED GLASS LOW-E. HALF LITE WOOD DOORS



V 1" INSULATED GLASS LOW-E (INSIDE BLACK). INSULATED HOLLOW METAL DOORS



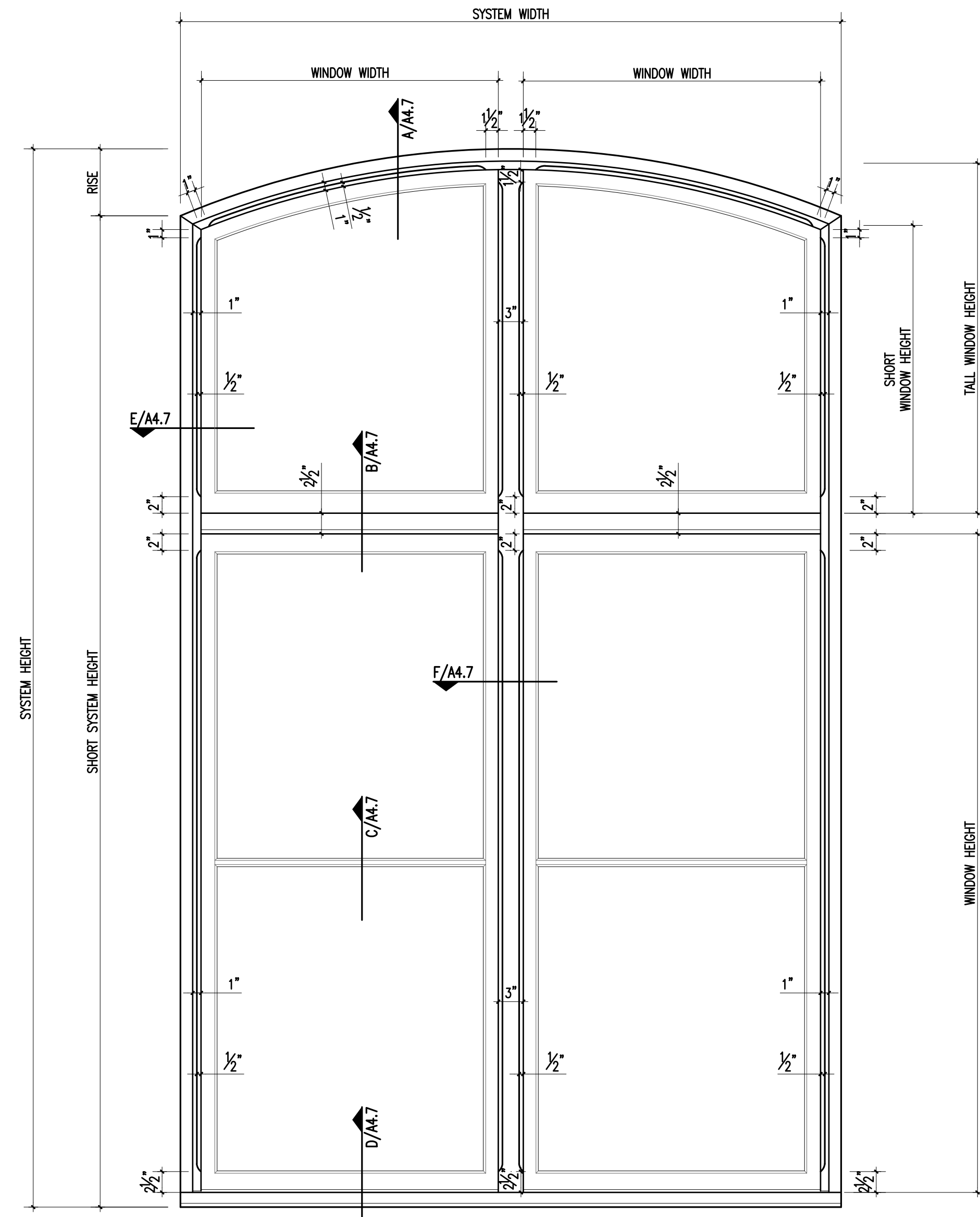
W 1" INSULATED GLASS LOW-E. ALUM. STOREFRONT DOORS



X 1" INSULATED GLASS LOW-E. ALUM. STOREFRONT DOORS

NOTE: "T" DENOTES TEMPERED GLASS.

2 DOOR ELEVATIONS



3 TYPICAL WINDOW ELEVATION DETAILS