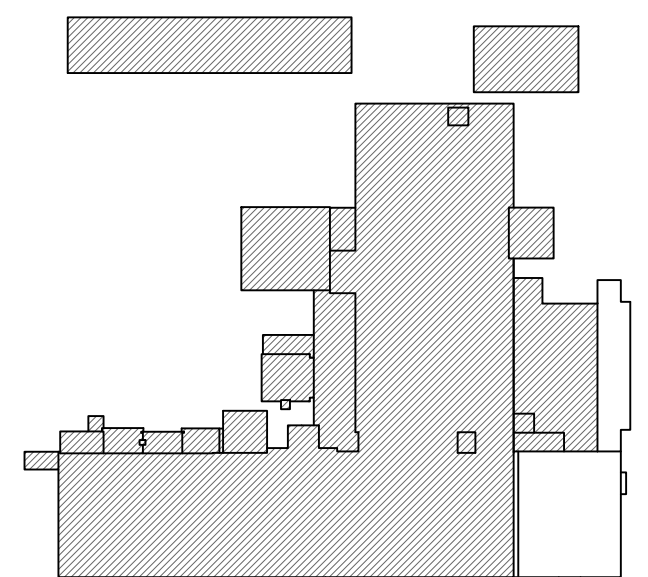


Issued for
CONSTRUCTION DOCUMENTS

date
APRIL 14, 2022

number	item	date

key plan

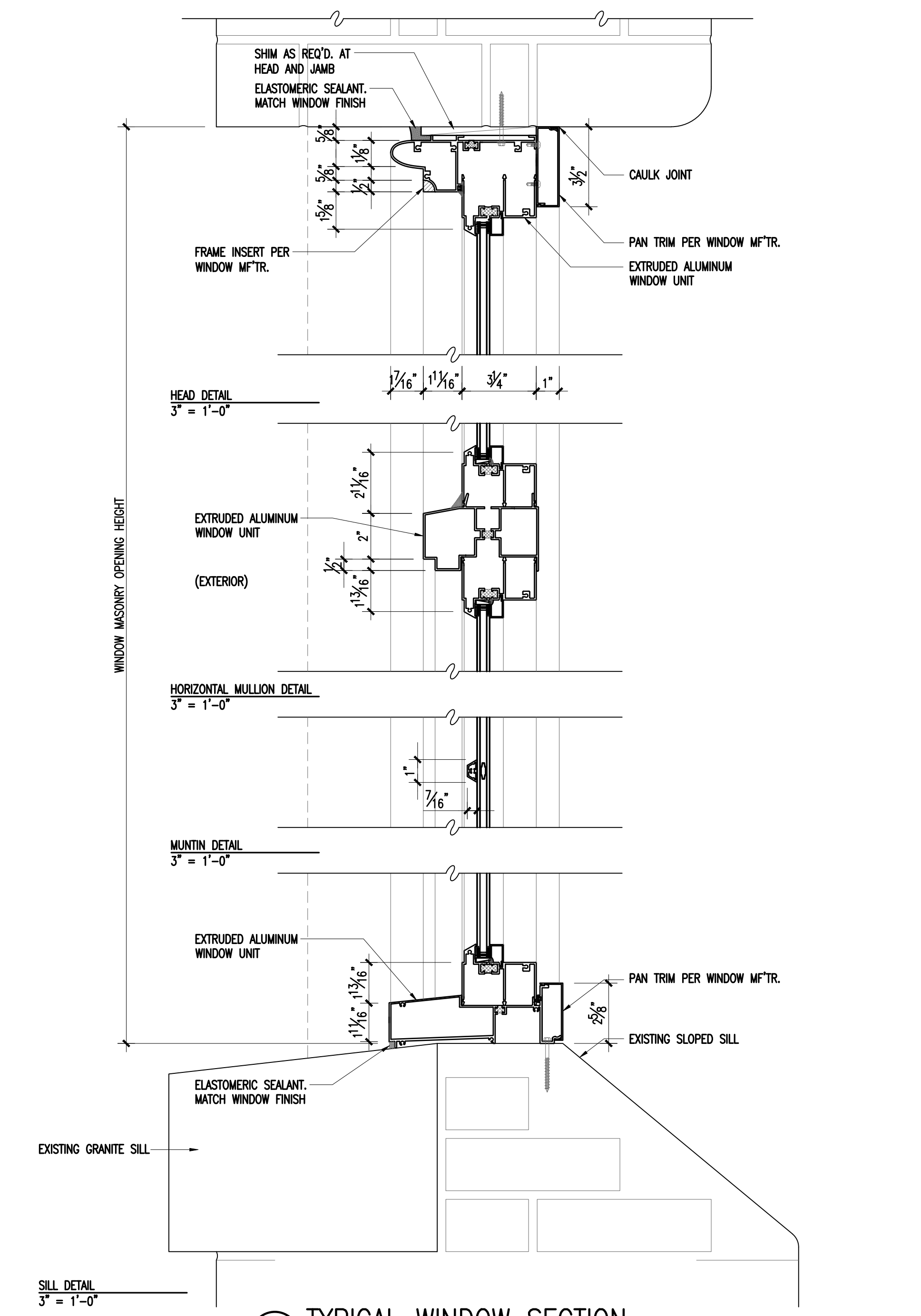


sheet title
WINDOW SECTIONS

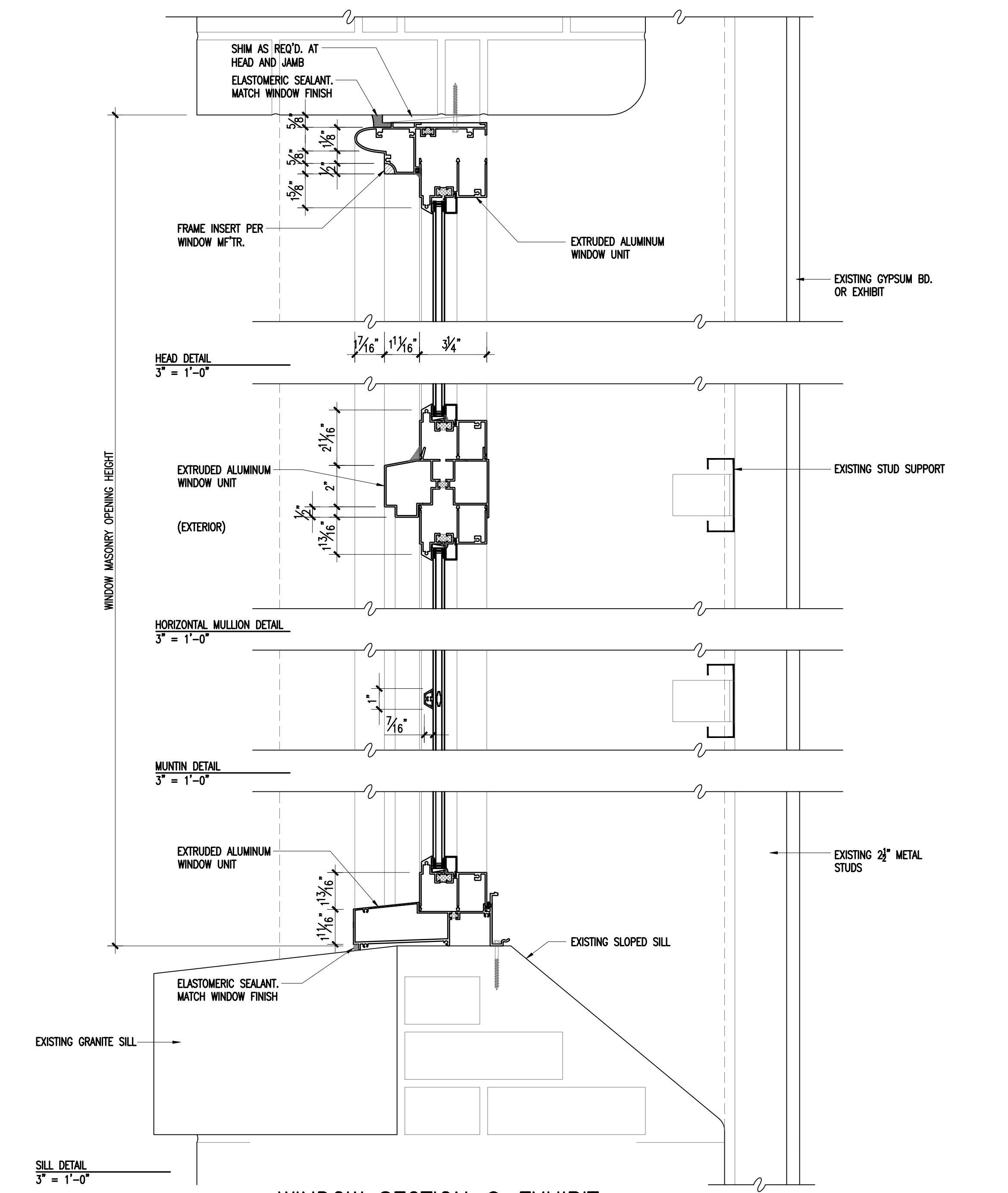
sheet number

A4.6

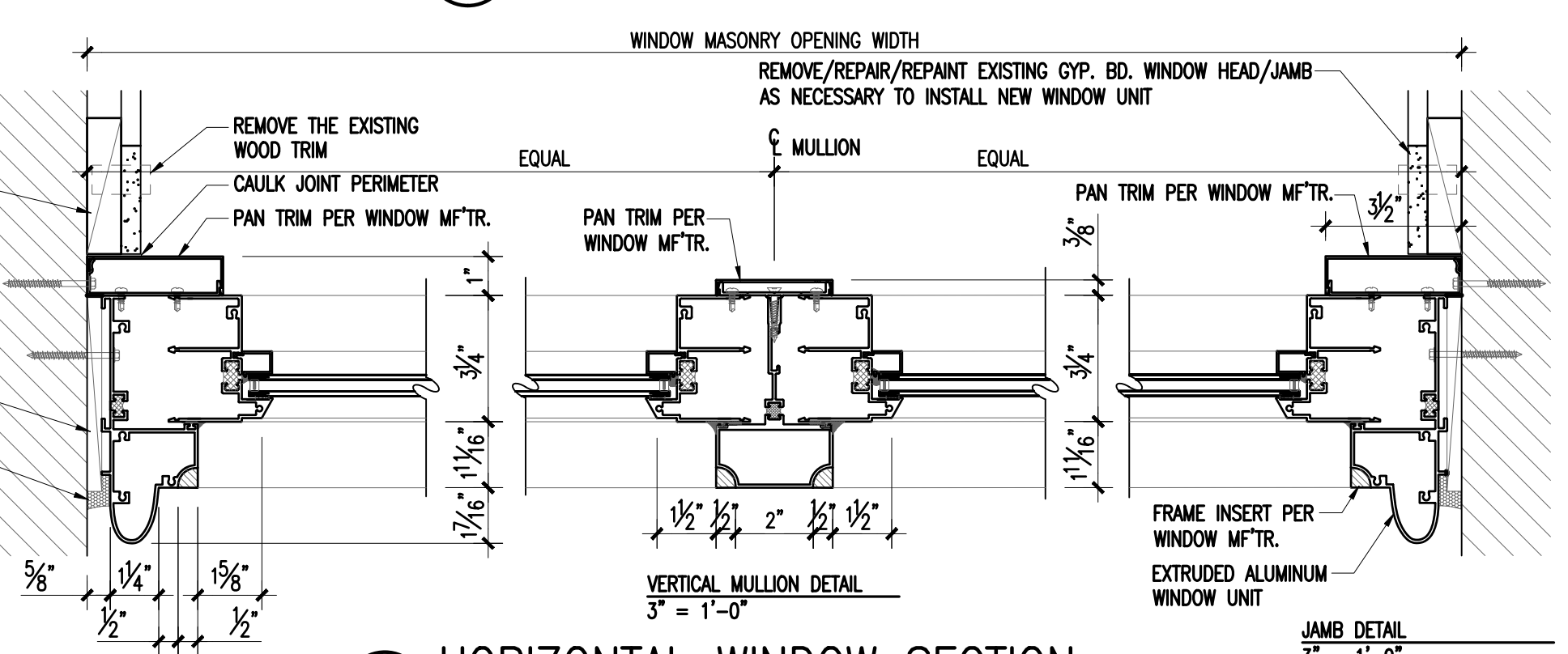
drawn by TLD
checked by



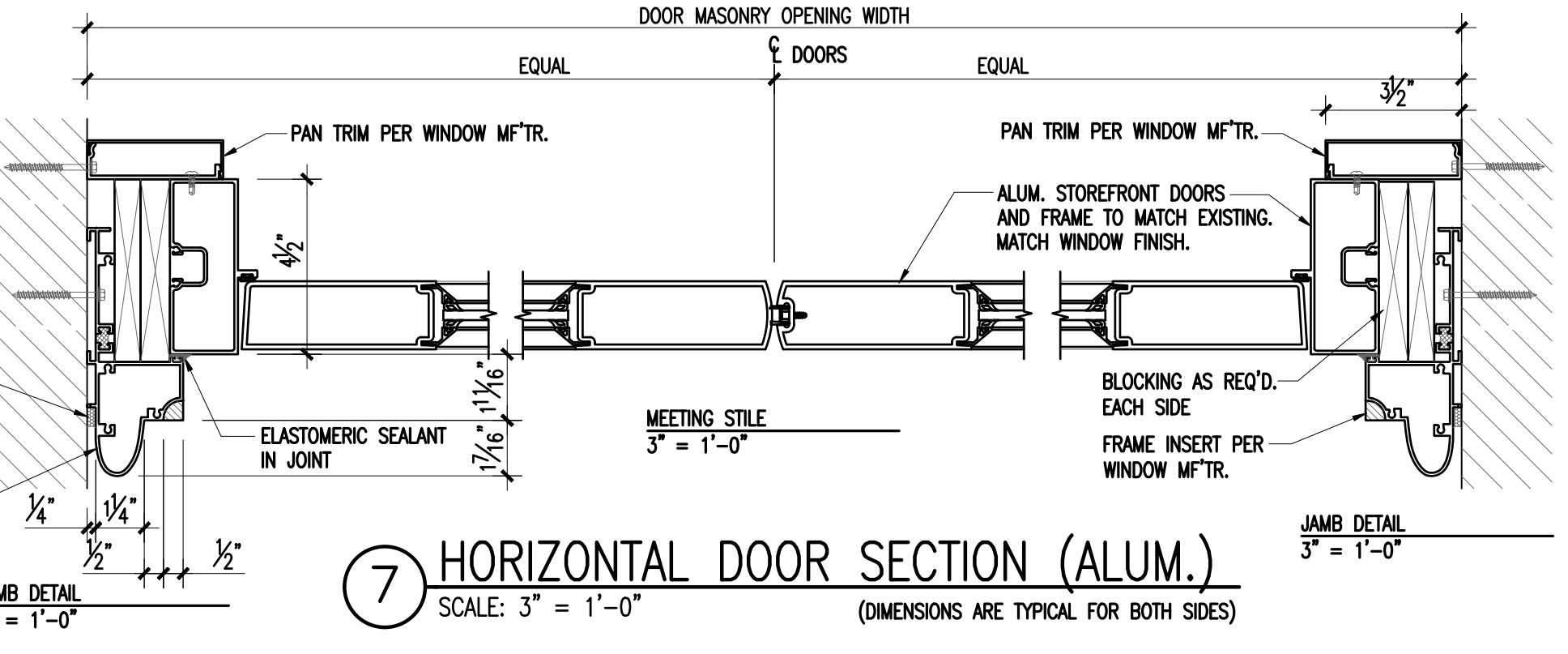
3 TYPICAL WINDOW SECTION
SCALE: 3" = 1'-0"



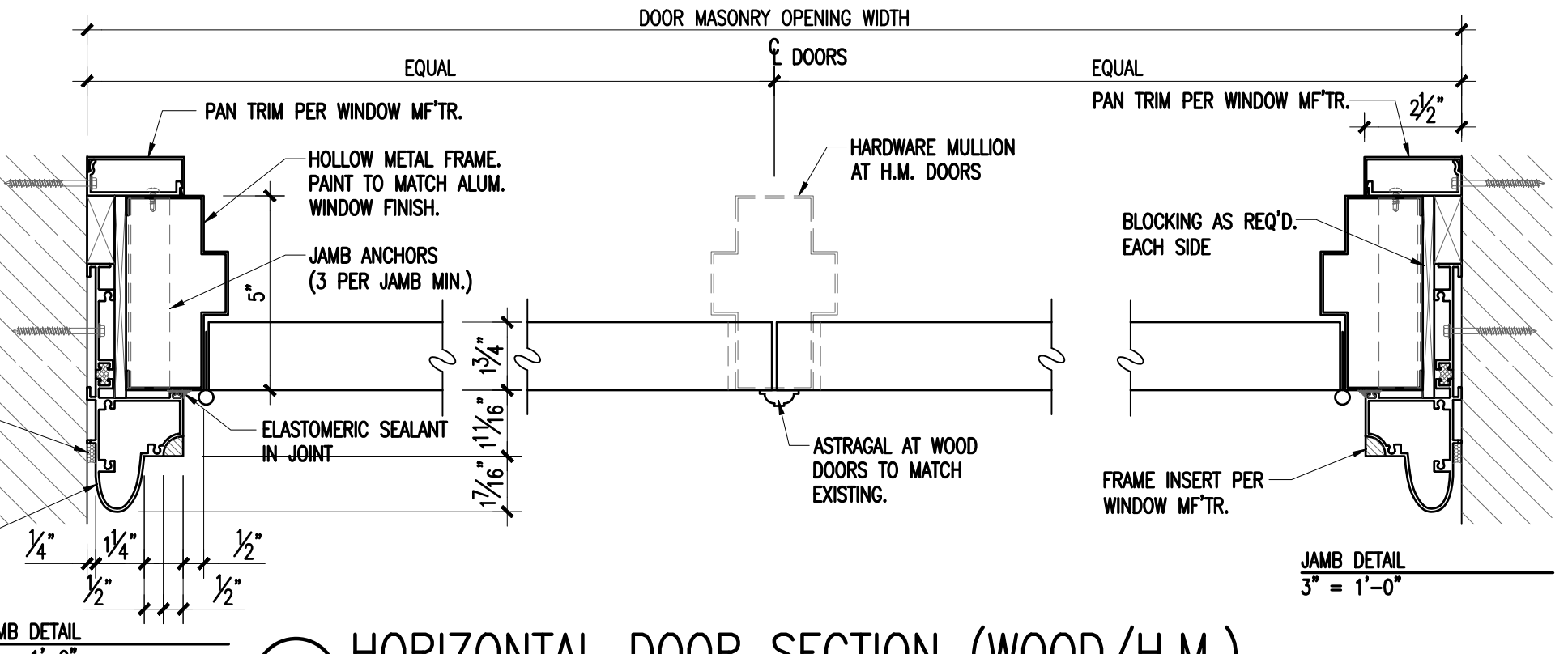
2 WINDOW SECTION @ EXHIBIT
SCALE: 3" = 1'-0"



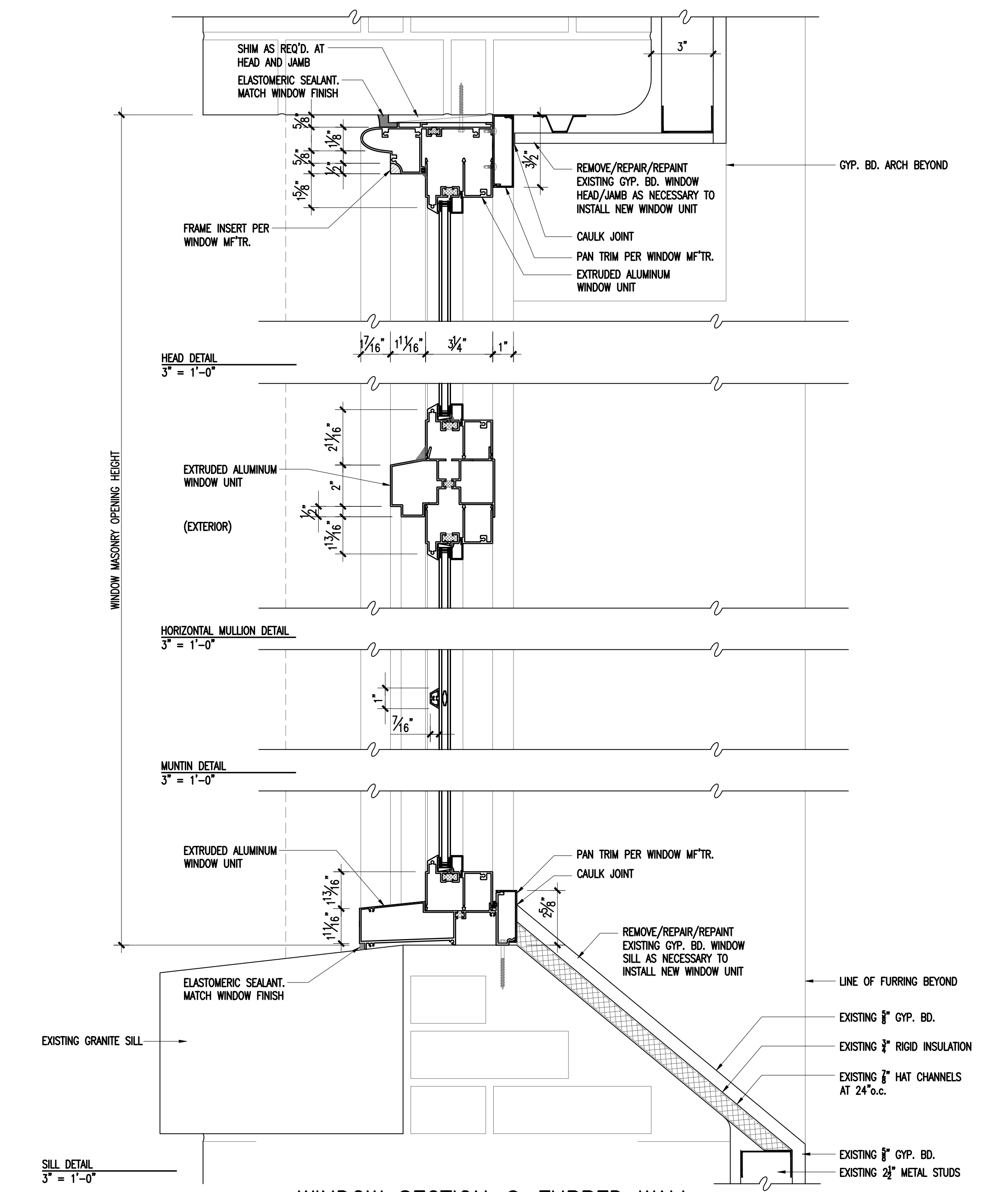
6 HORIZONTAL WINDOW SECTION
SCALE: 3" = 1'-0"
(DIMENSIONS ARE TYPICAL FOR BOTH SIDES)



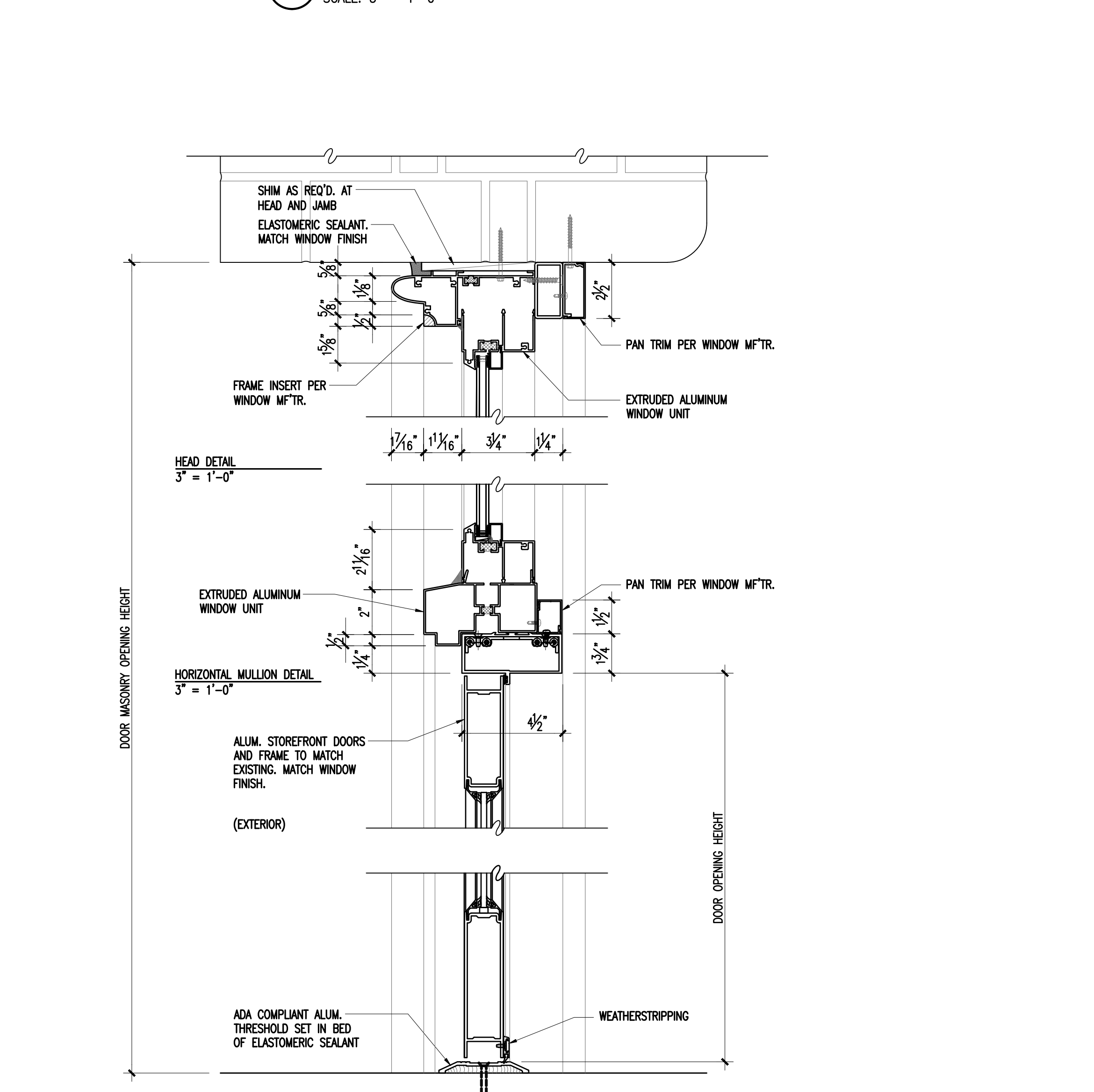
7 HORIZONTAL DOOR SECTION (ALUM.)
SCALE: 3" = 1'-0"
(DIMENSIONS ARE TYPICAL FOR BOTH SIDES)



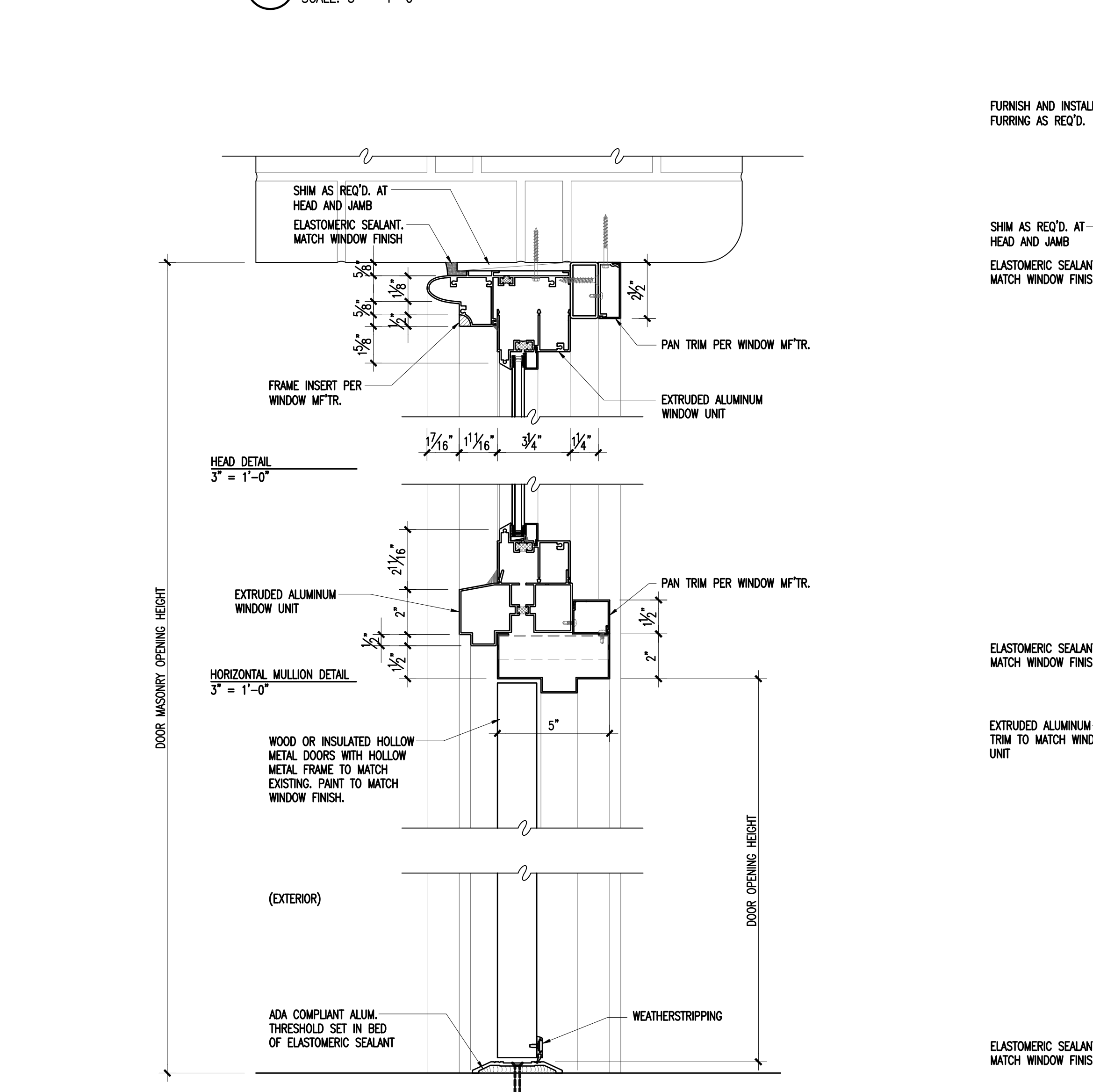
8 HORIZONTAL DOOR SECTION (WOOD/H.M.)
SCALE: 3" = 1'-0"
(DIMENSIONS ARE TYPICAL FOR BOTH SIDES)



1 WINDOW SECTION @ FURRED WALL
SCALE: 3" = 1'-0"



4 WINDOW SECTION @ EXTERIOR DOOR (ALUM.)
SCALE: 3" = 1'-0"



5 WINDOW SECTION @ EXTERIOR DOOR (WOOD/H.M.)
SCALE: 3" = 1'-0"