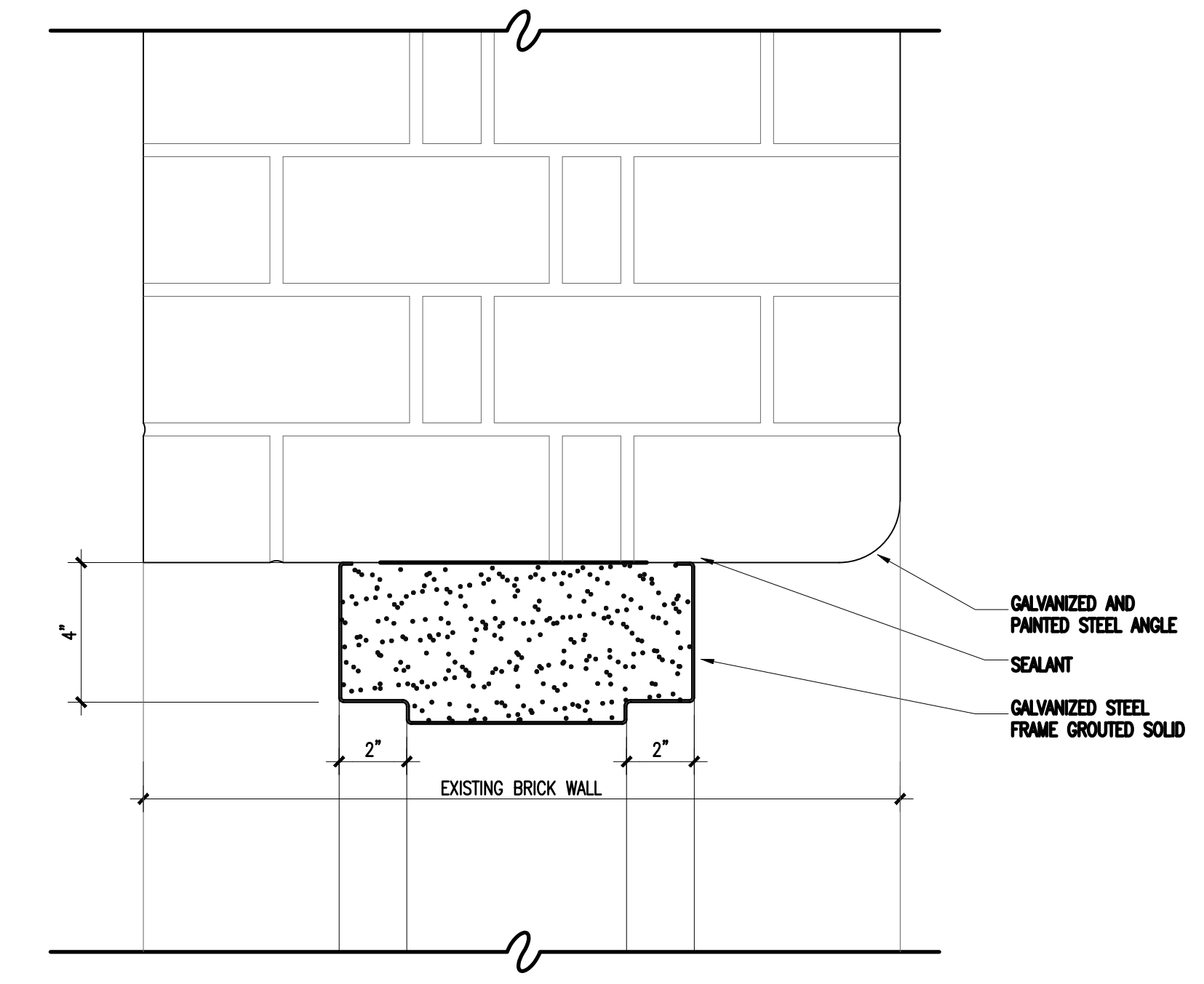
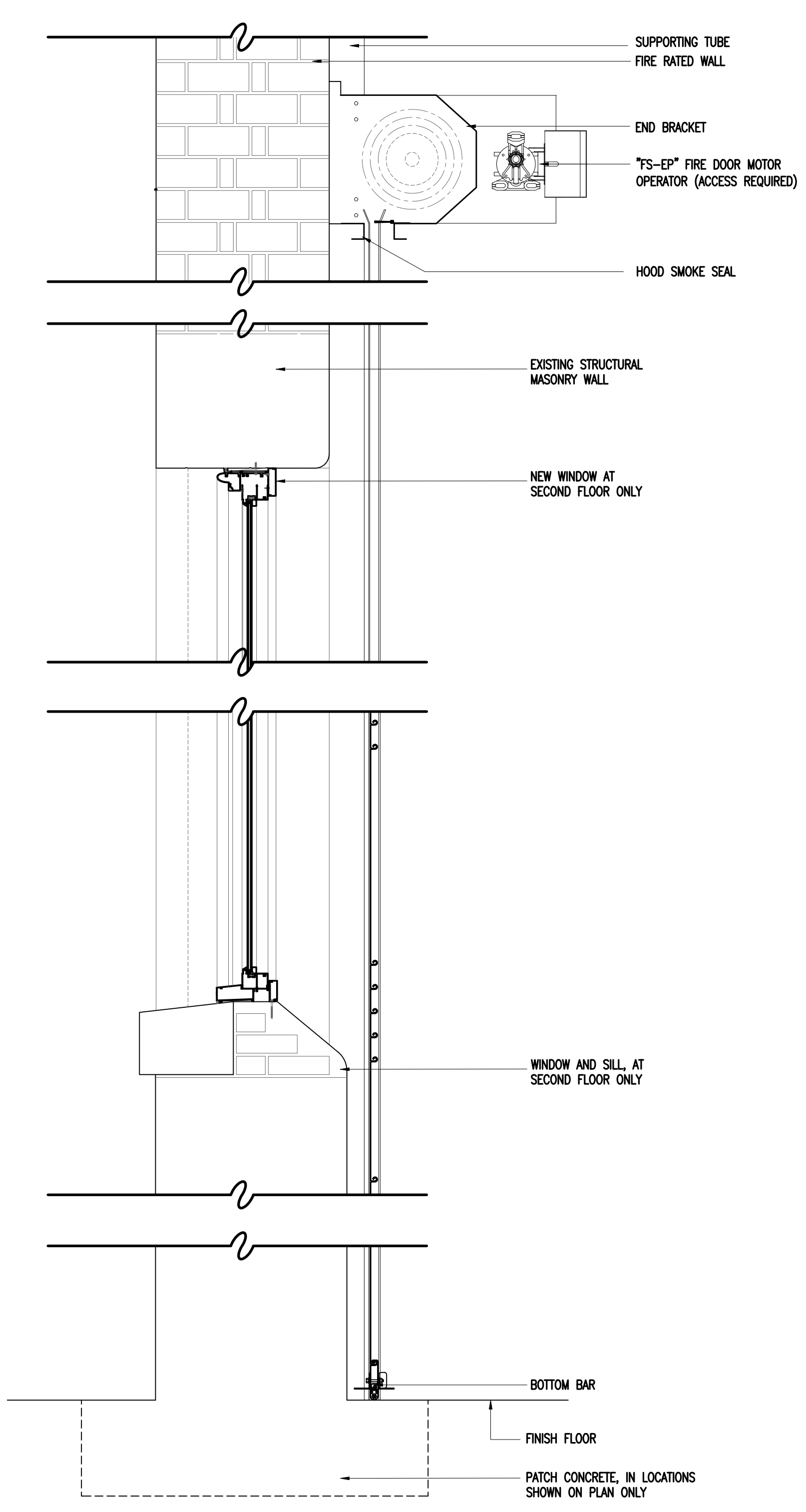


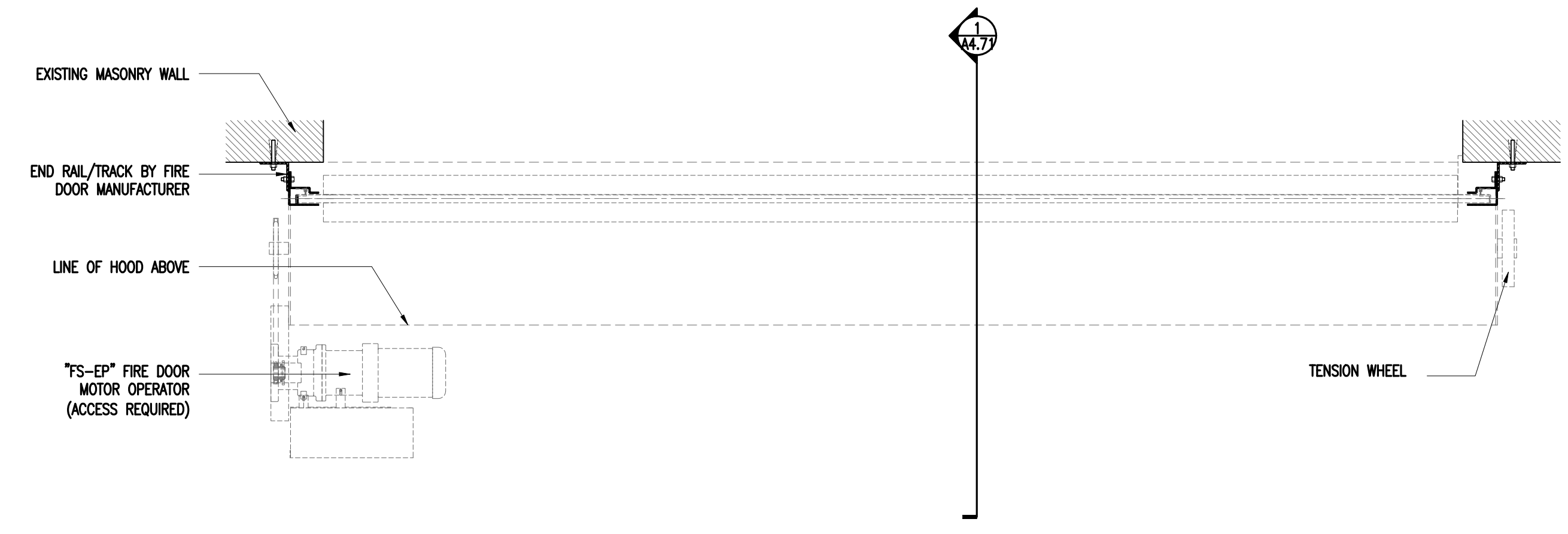
6 ALTERNATE 2 - RATED JAMB DETAIL  
SCALE: 3" = 1'-0"



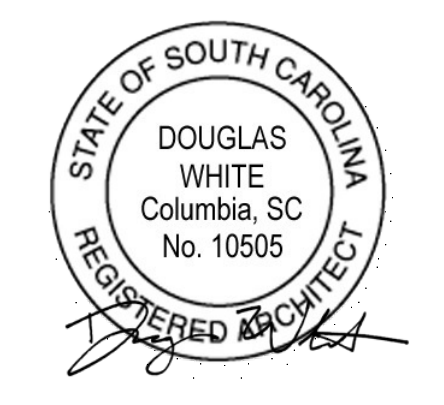
6 ALTERNATE 2 - RATED DOOR HEAD DETAIL  
SCALE: 3" = 1'-0"



6 ALTERNATE 2 - RATED FIRE SHUTTER SECTION  
SCALE: 1" = 1'-0"



6 ALTERNATE 2 - RATED FIRE SHUTTER PLAN  
SCALE: 1" = 1'-0"



number	item	date

