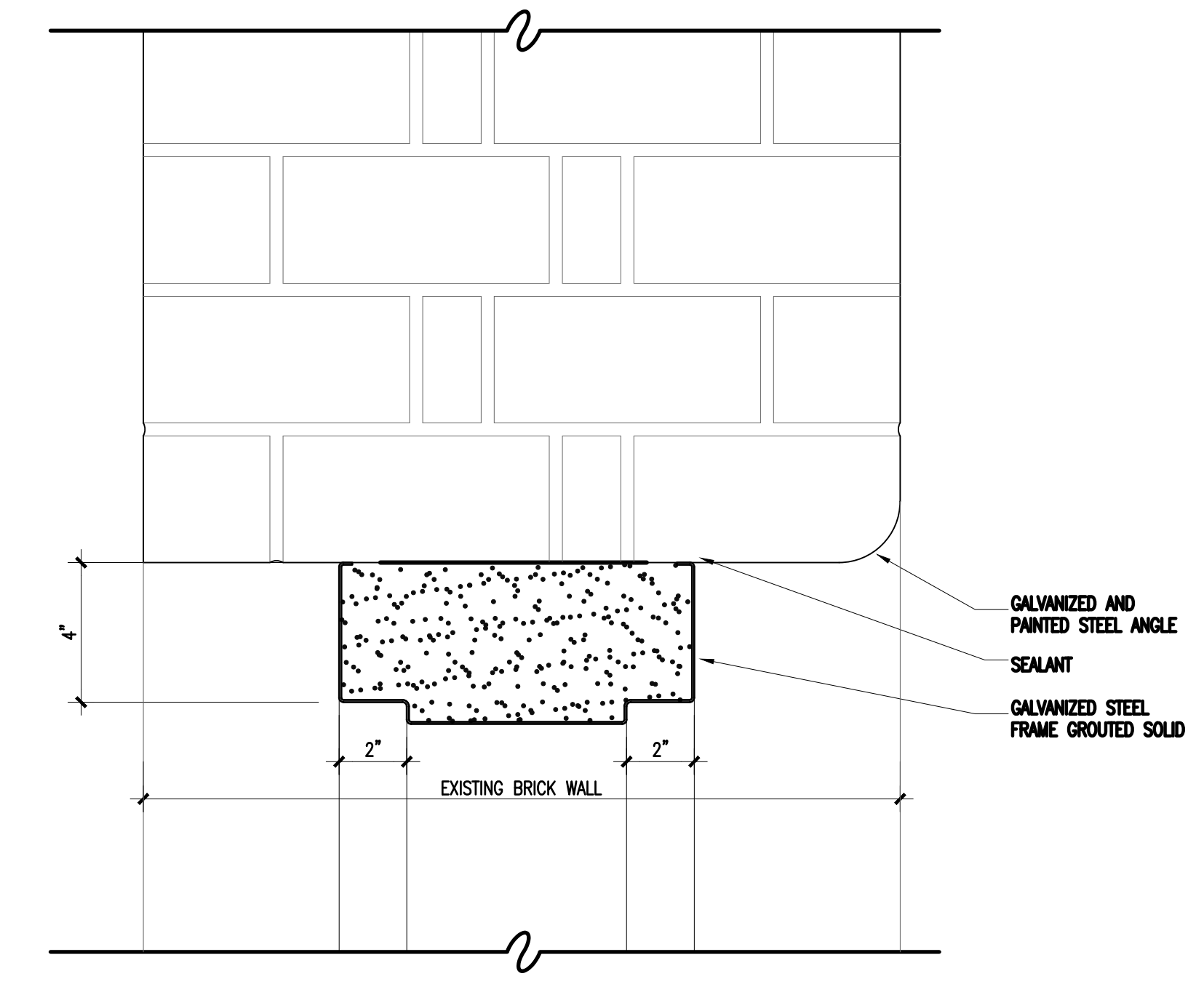
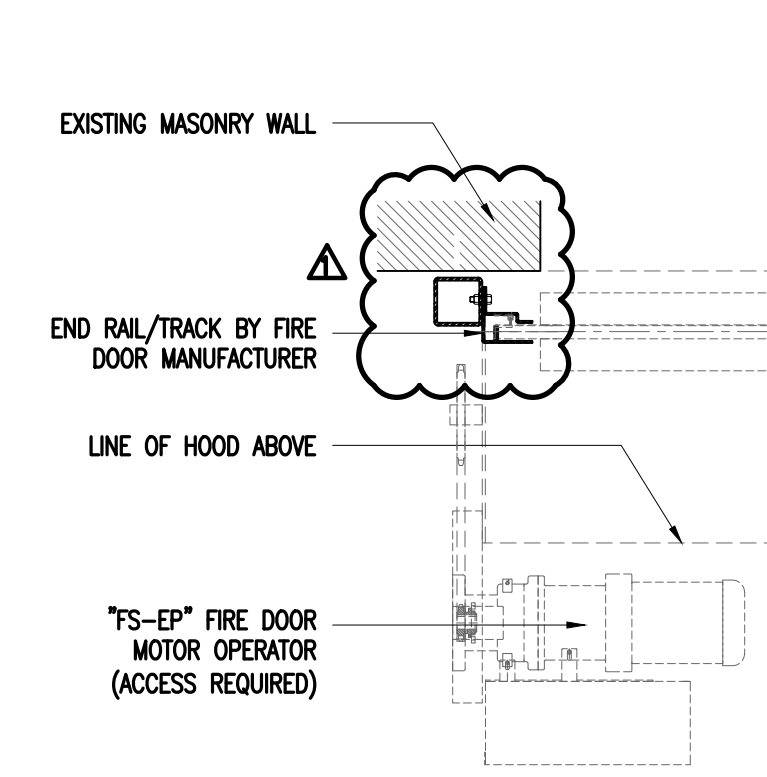


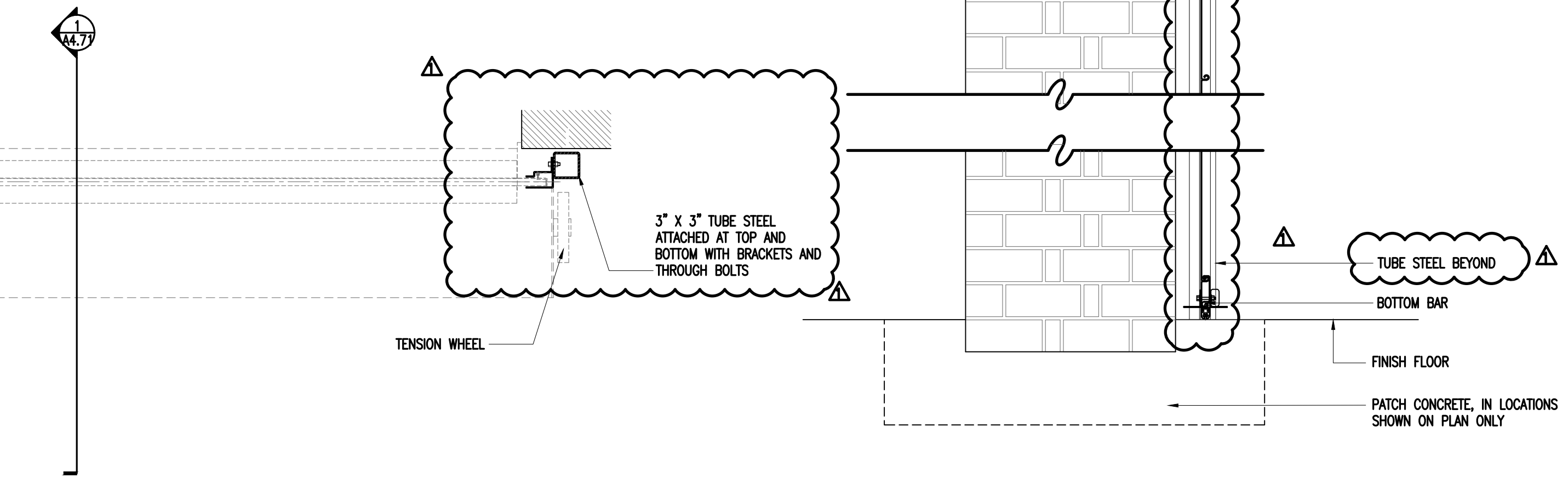
6 ALTERNATE 2 - RATED JAMB DETAIL
SCALE: 3" = 1'-0"



6 ALTERNATE 2 - RATED DOOR HEAD DETAIL
SCALE: 3" = 1'-0"



6 ALTERNATE 2 - RATED FIRE SHUTTER PLAN
SCALE: 1" = 1'-0"



6 ALTERNATE 2 - RATED FIRE SHUTTER SECTION
SCALE: 1" = 1'-0"

number	item	date
Δ	ADDENDUM #1	05/12/22

