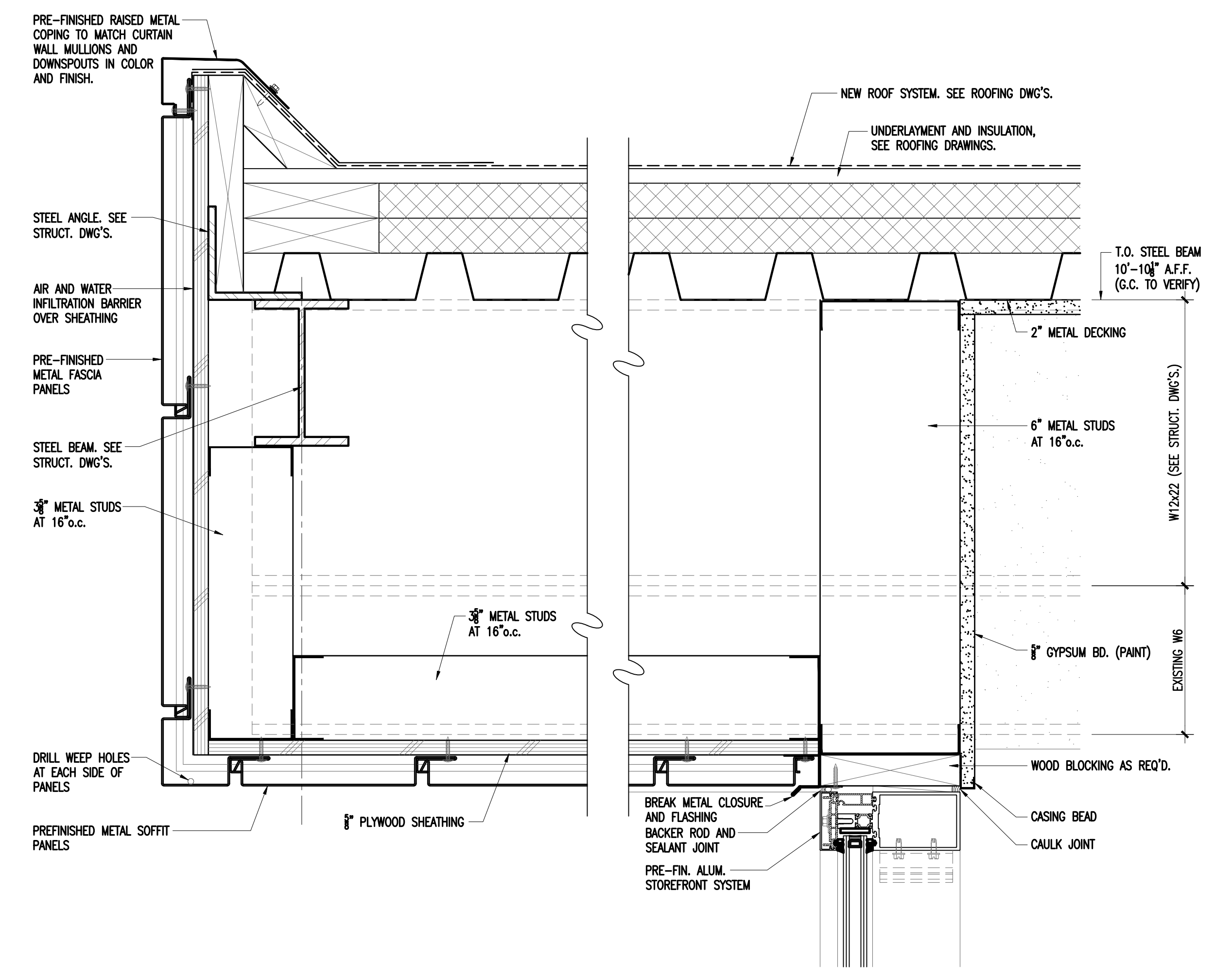
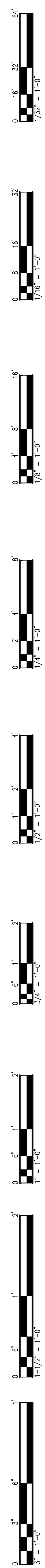
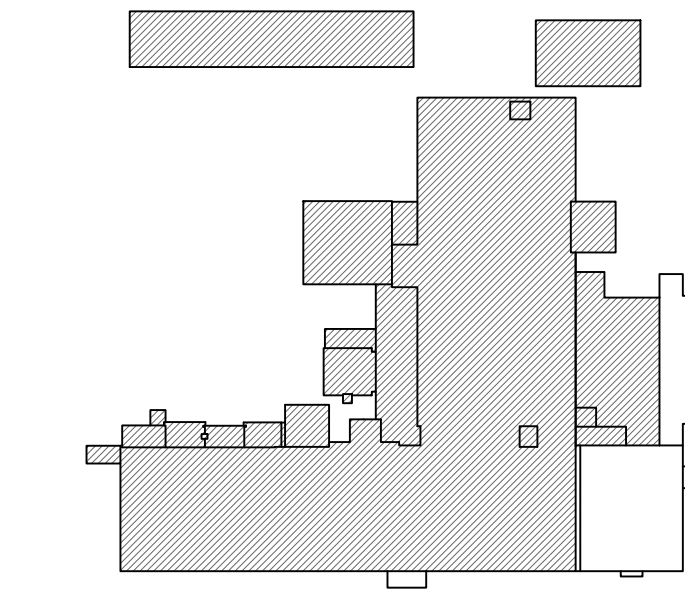
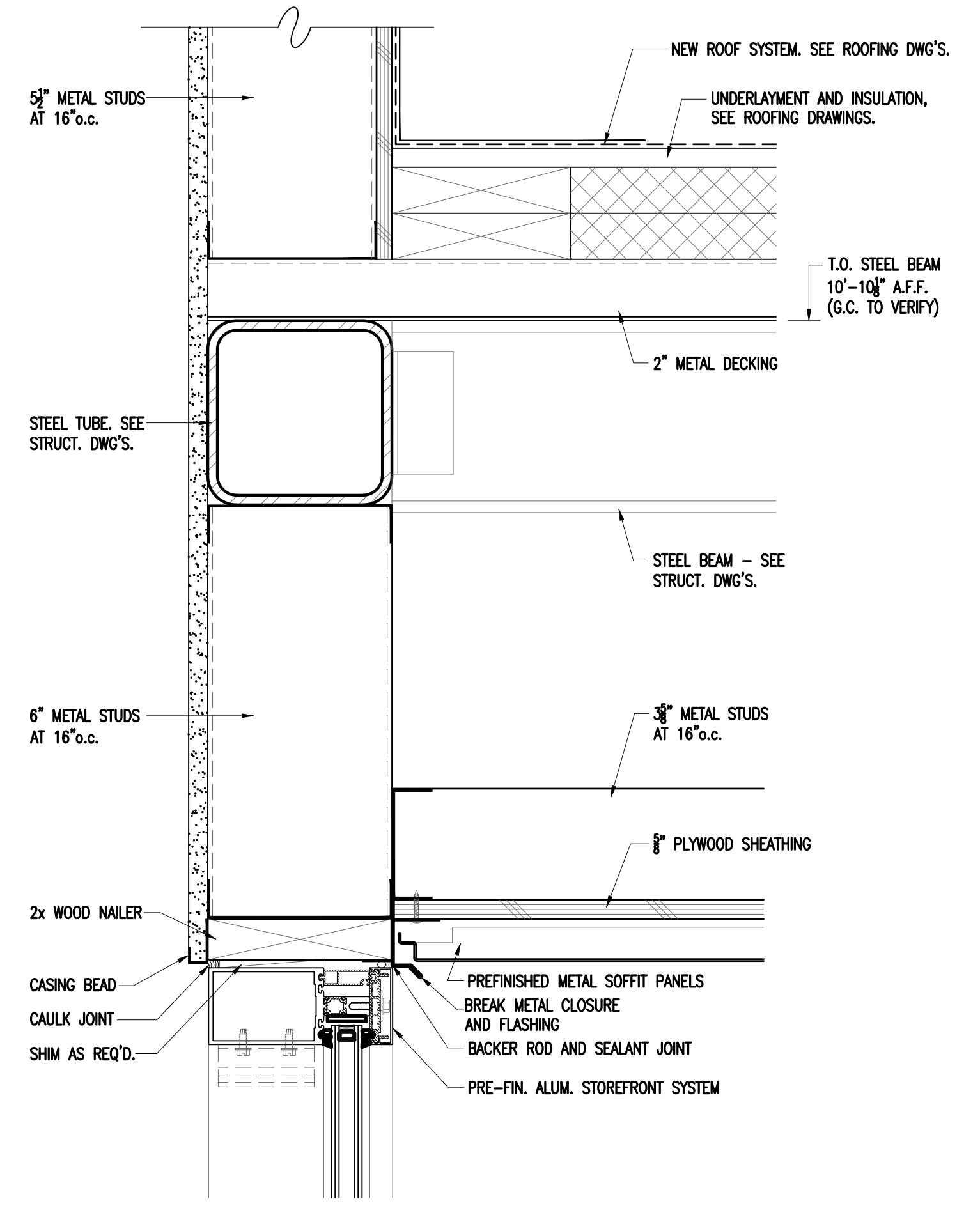




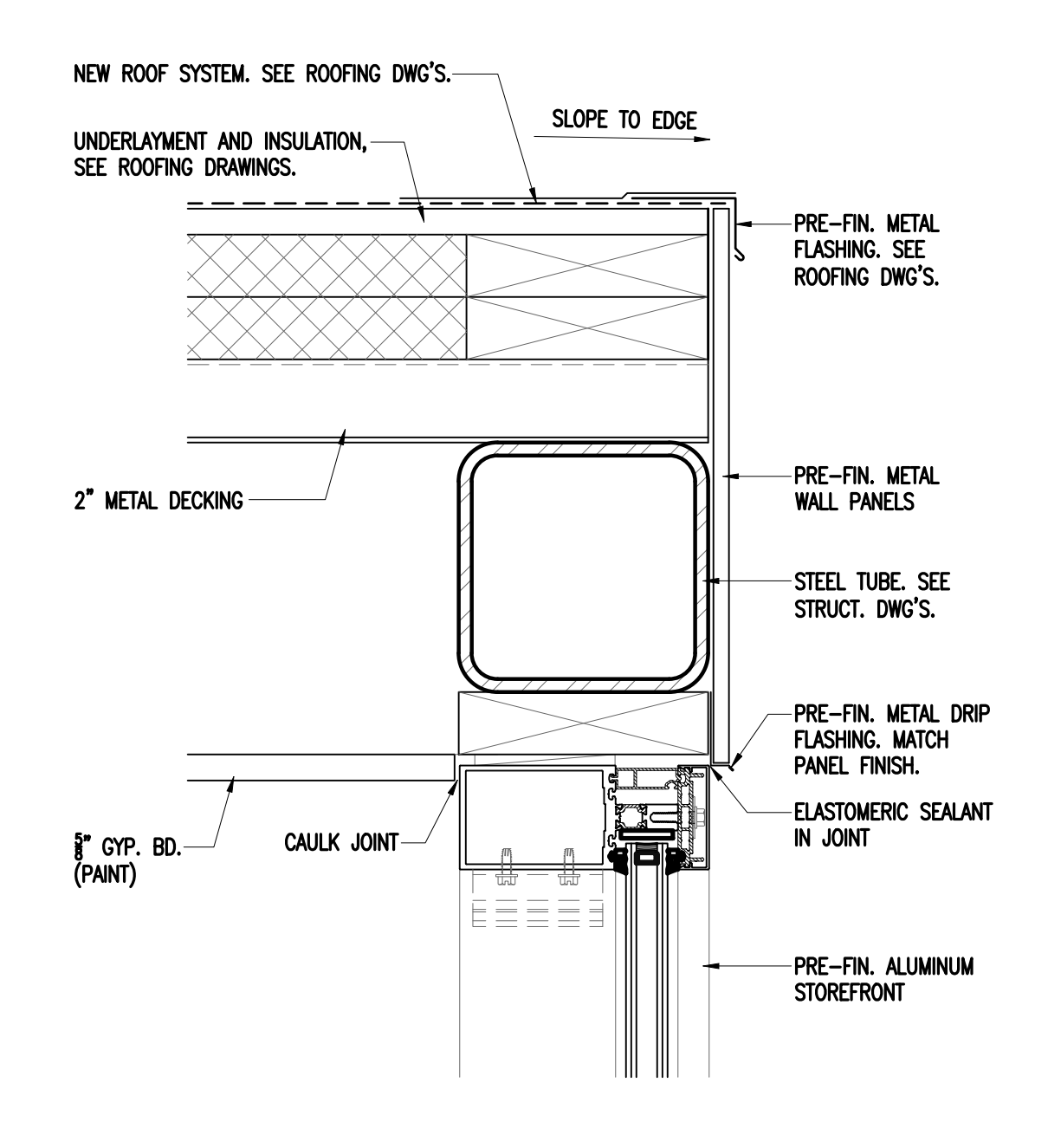
number	item	date



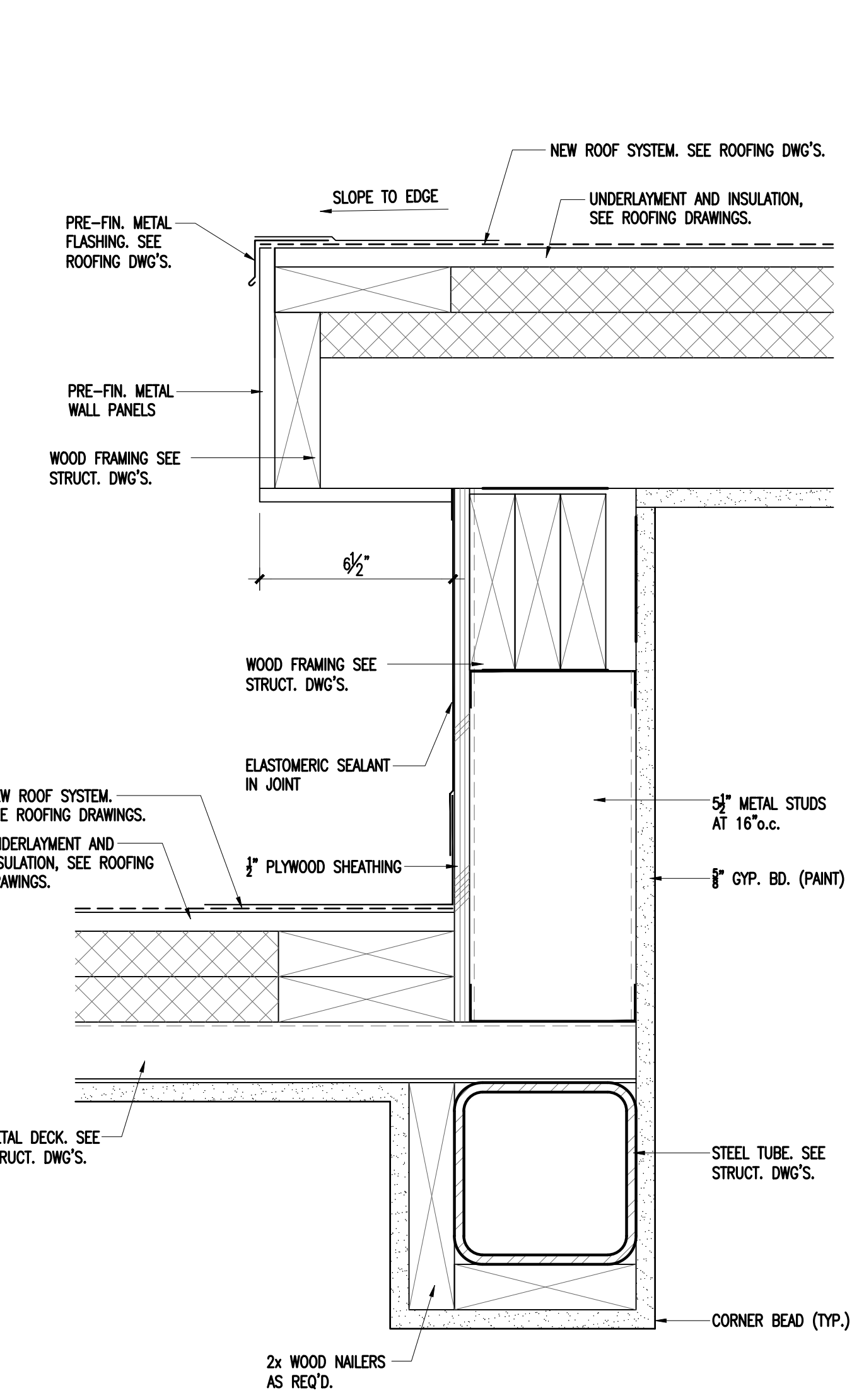
1 ENTRANCE SOFFIT SECTION
SCALE: 3" = 1'-0"



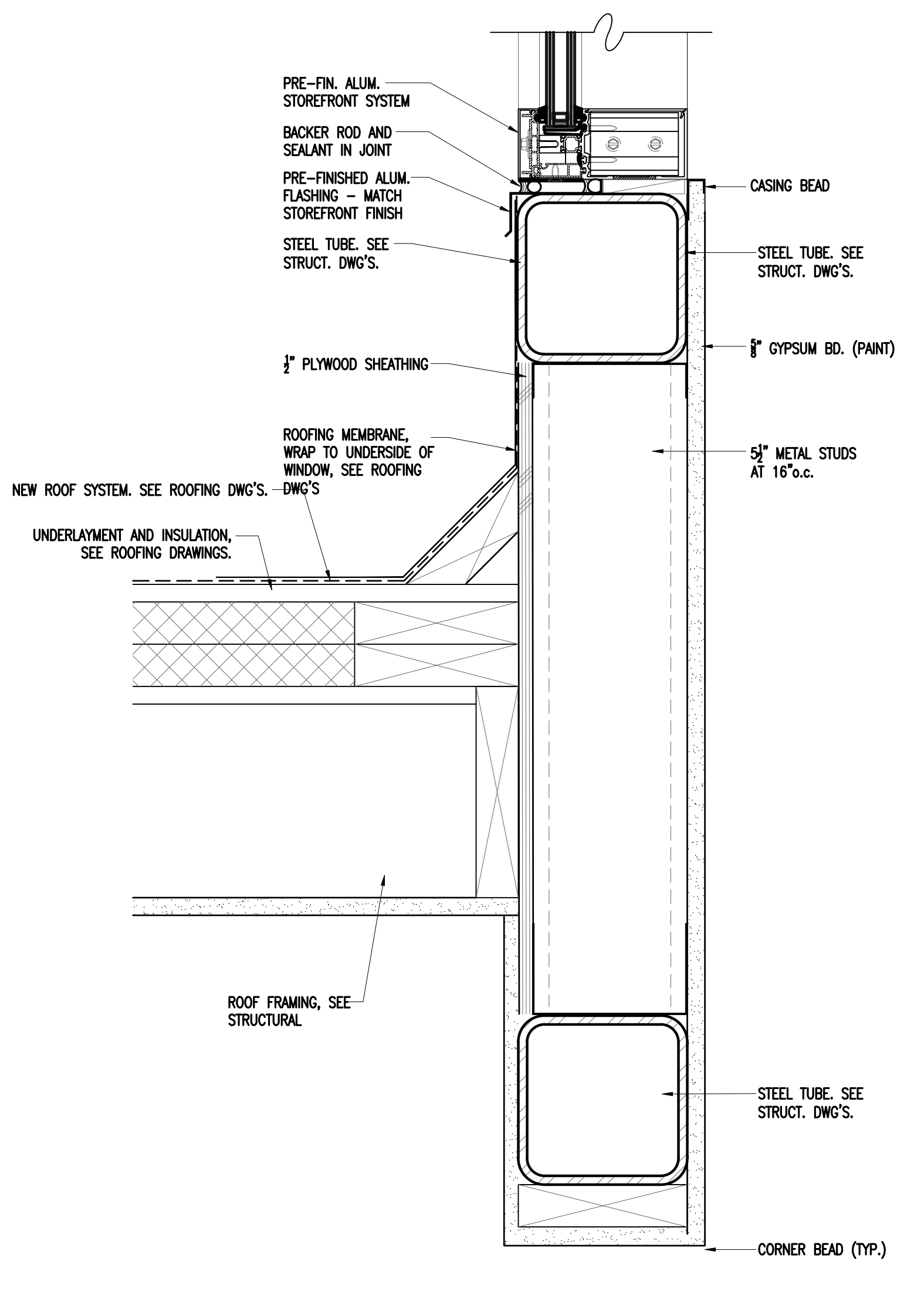
2 WALL TO SOFFIT SECTION
SCALE: 3" = 1'-0"



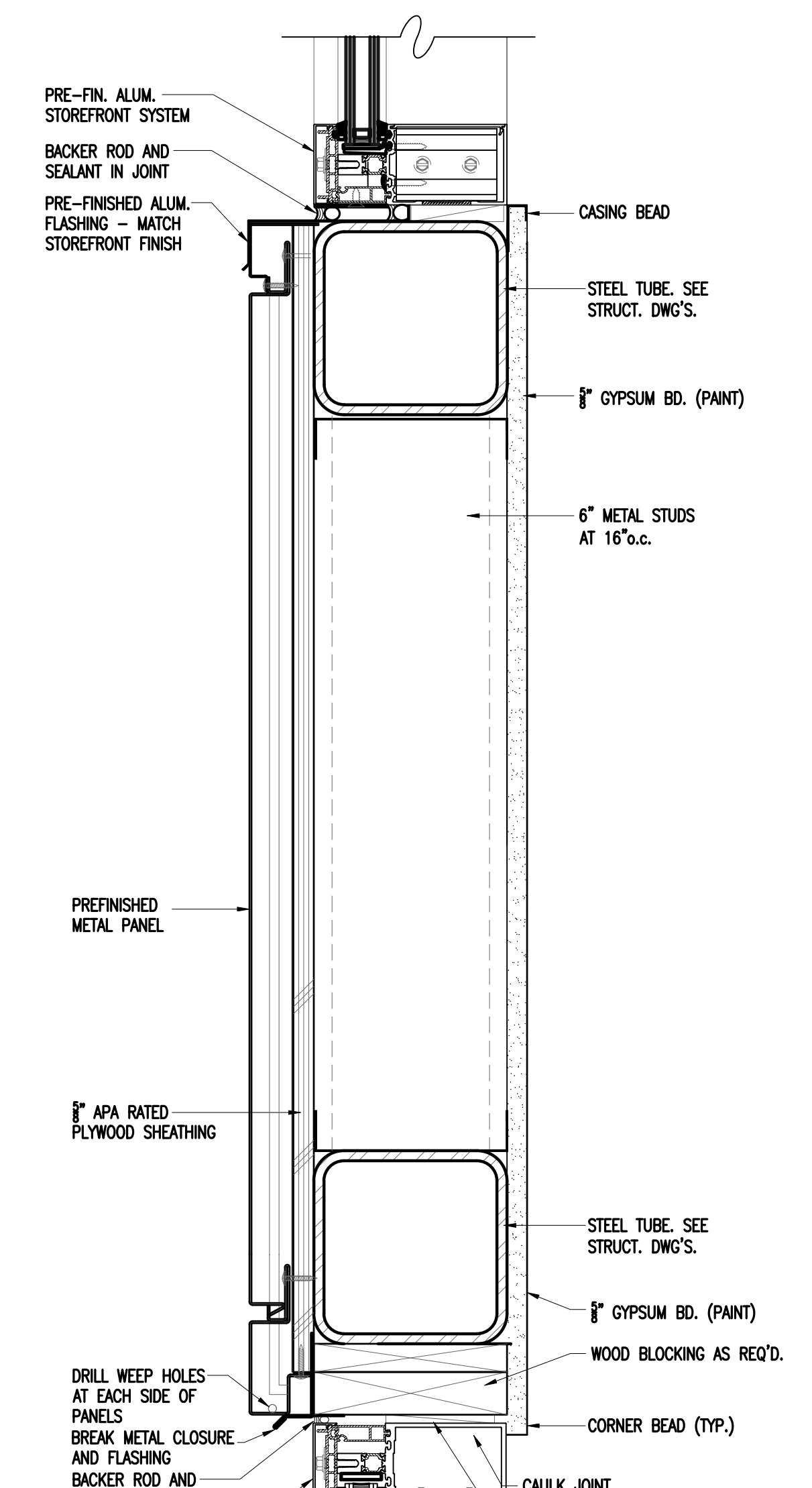
4 ROOF EAVE SECTION
SCALE: 3" = 1'-0"



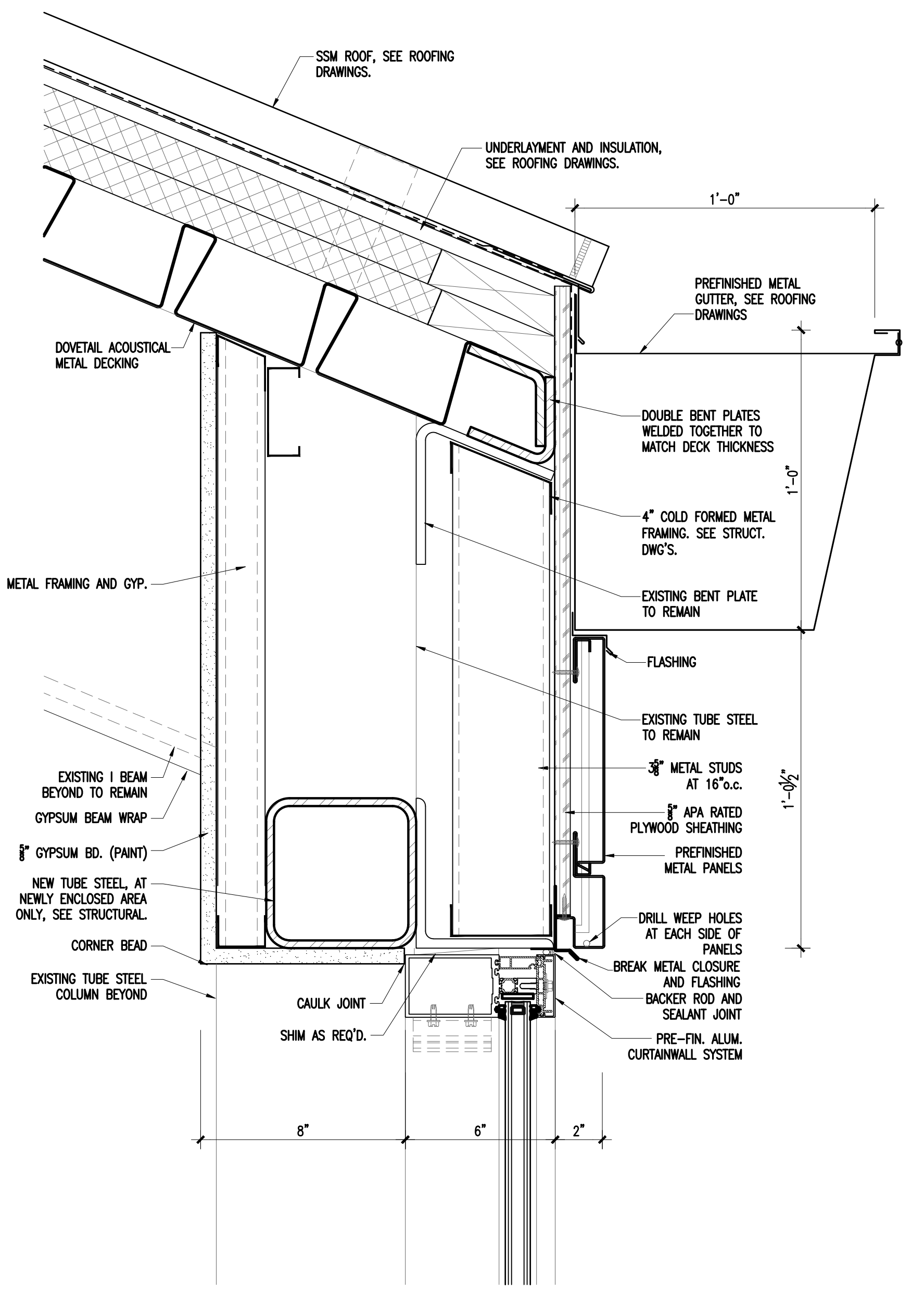
3 ROOF TO WALL SECTION
SCALE: 3" = 1'-0"



5 WALL TO SOFFIT SECTION
SCALE: 3" = 1'-0"



6 METAL PANEL AT CURTAIN WALL
SCALE: 3" = 1'-0"



7 METAL PANEL AT CURTAIN WALL
SCALE: 3" = 1'-0"