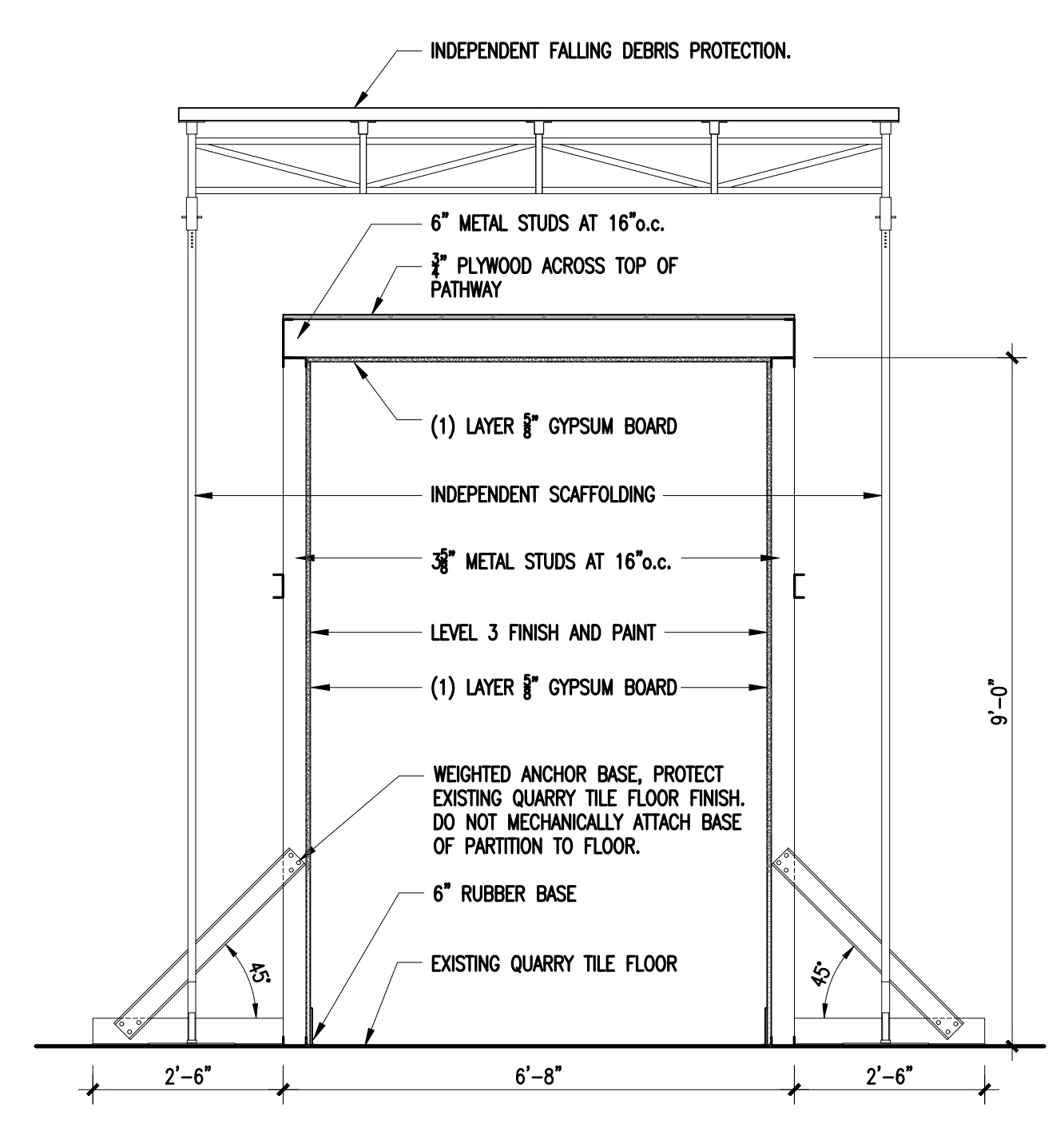
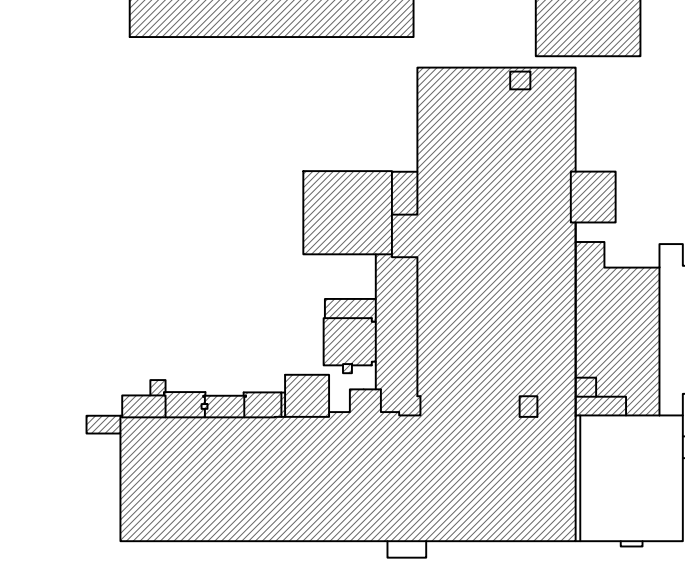
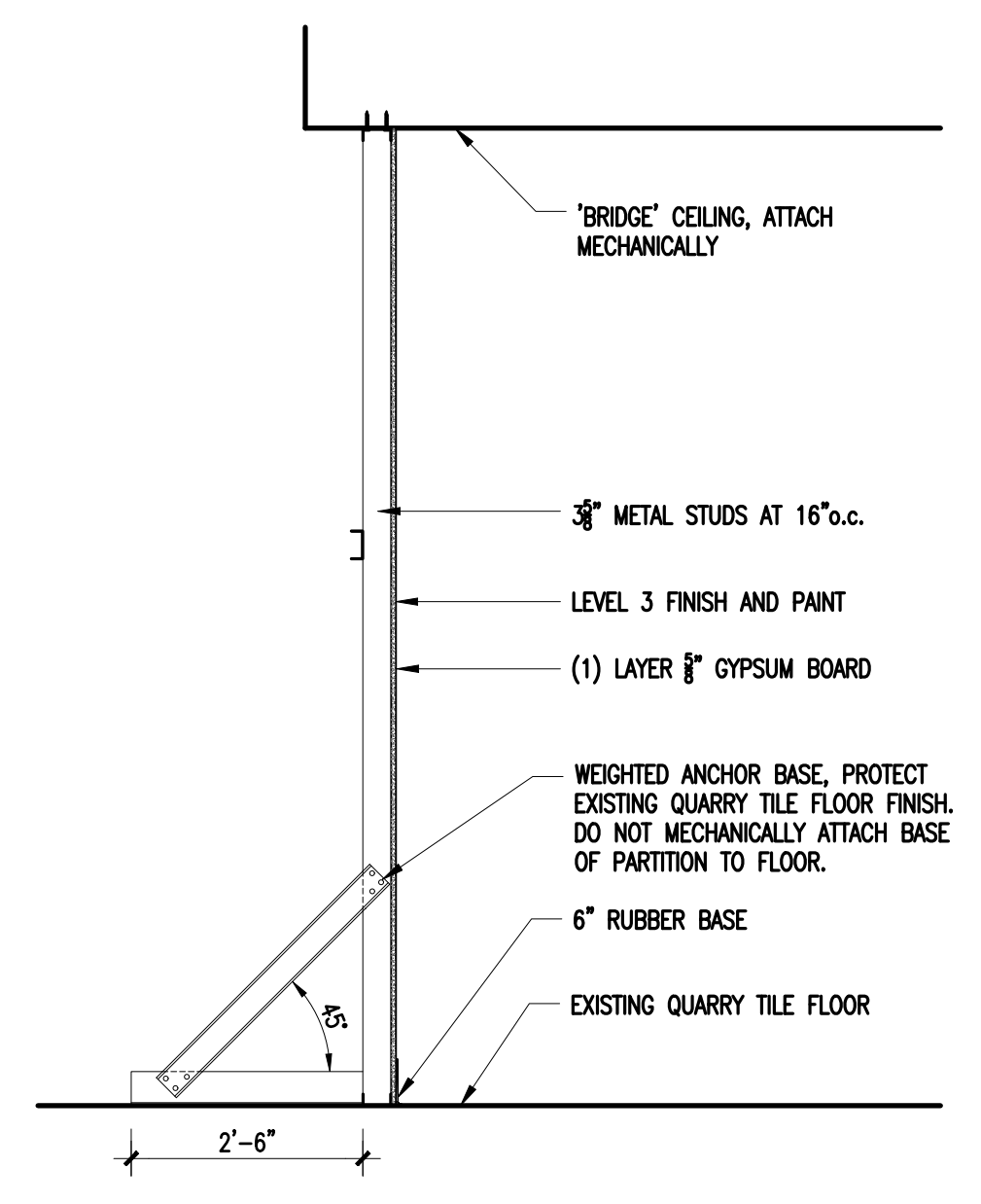


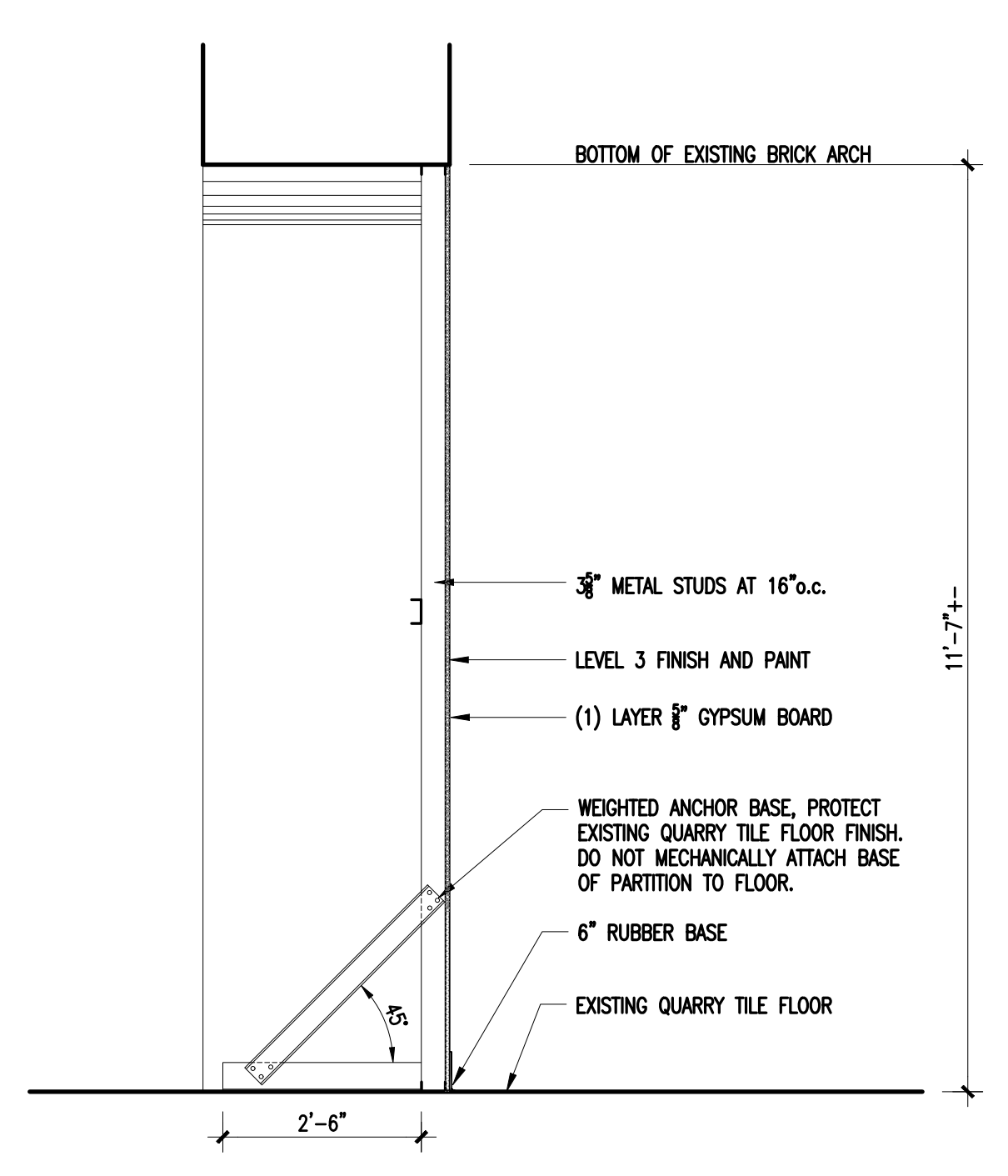
number	item	date



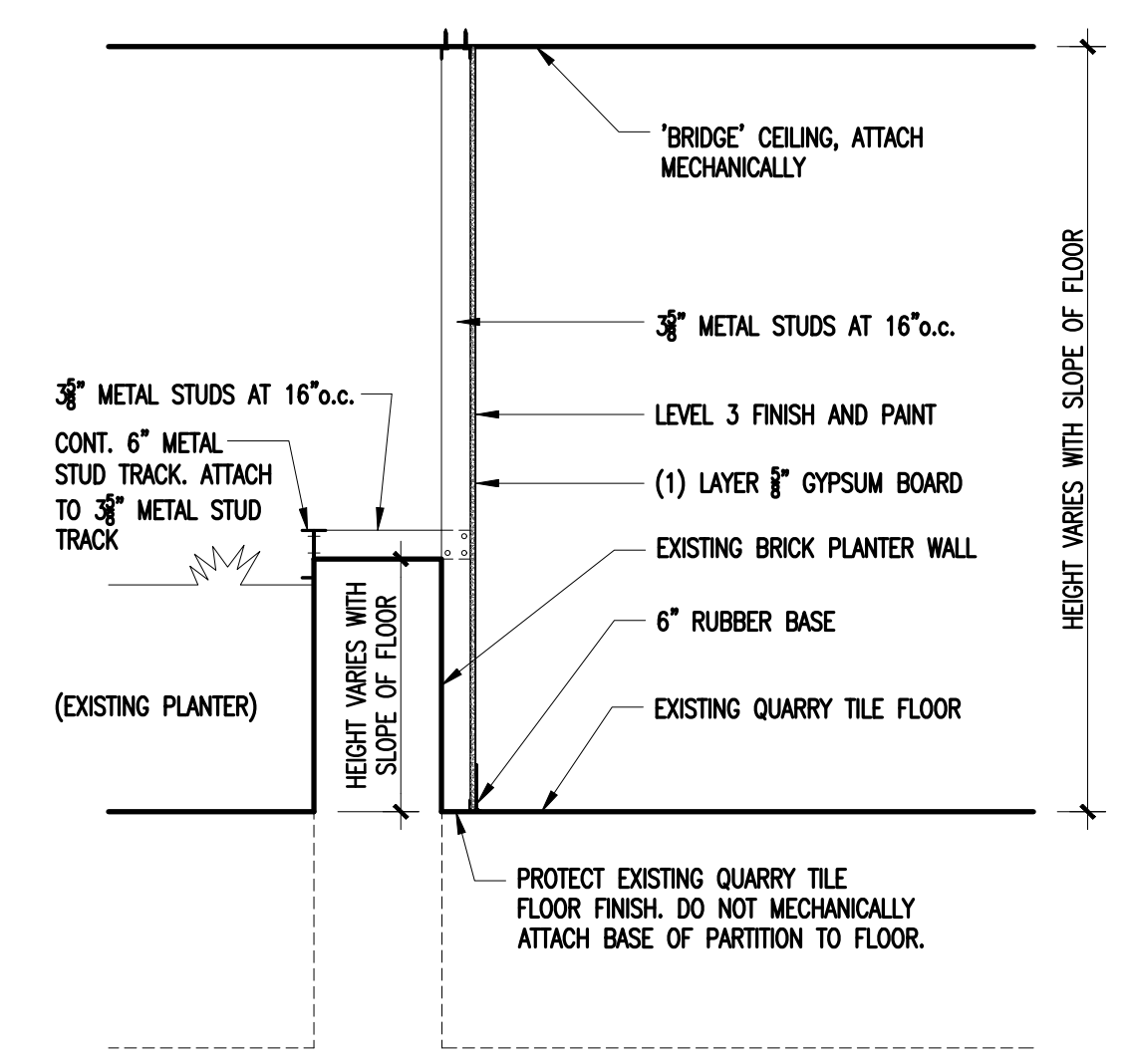
1 BARRIER 1
1/2" = 1'-0"



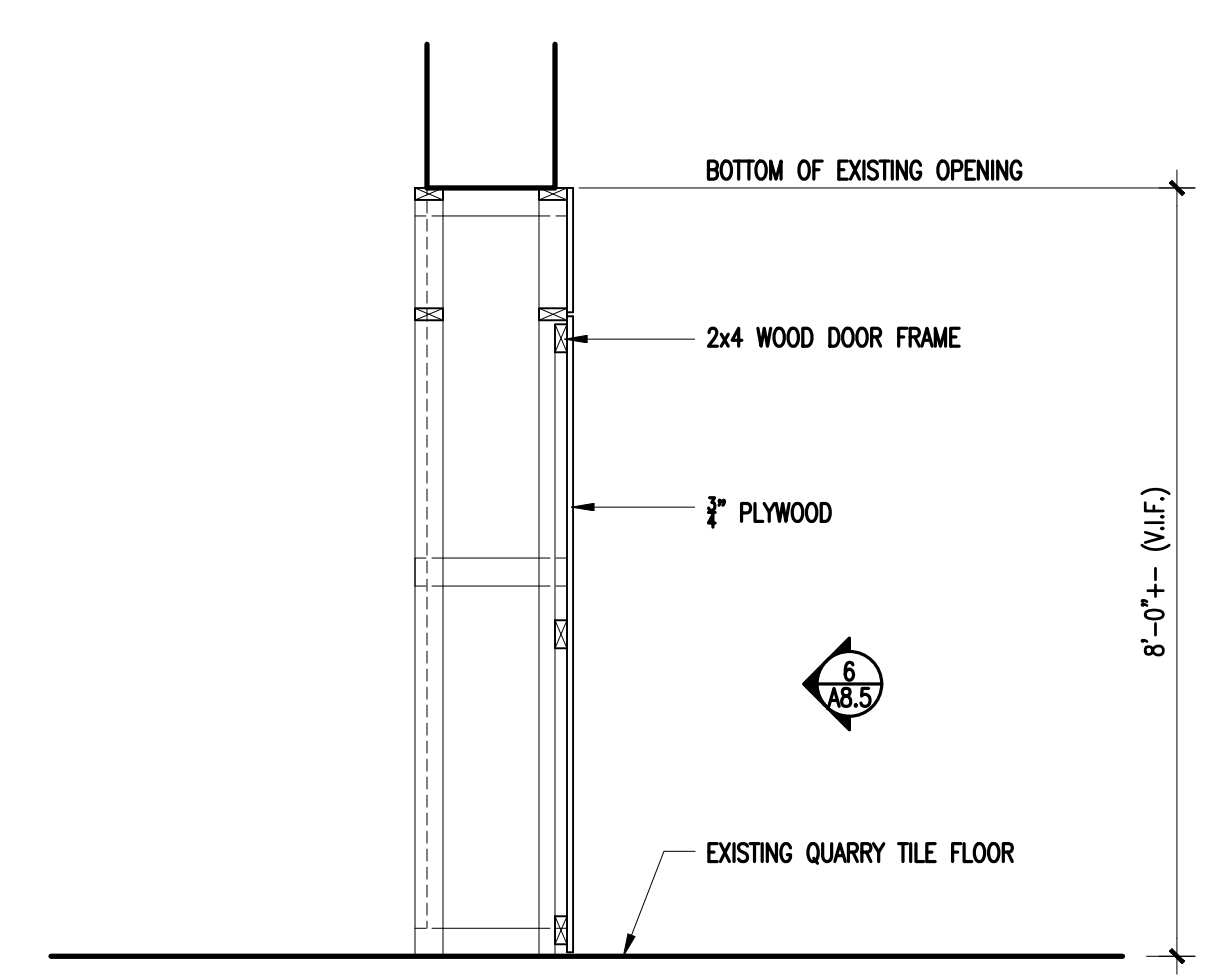
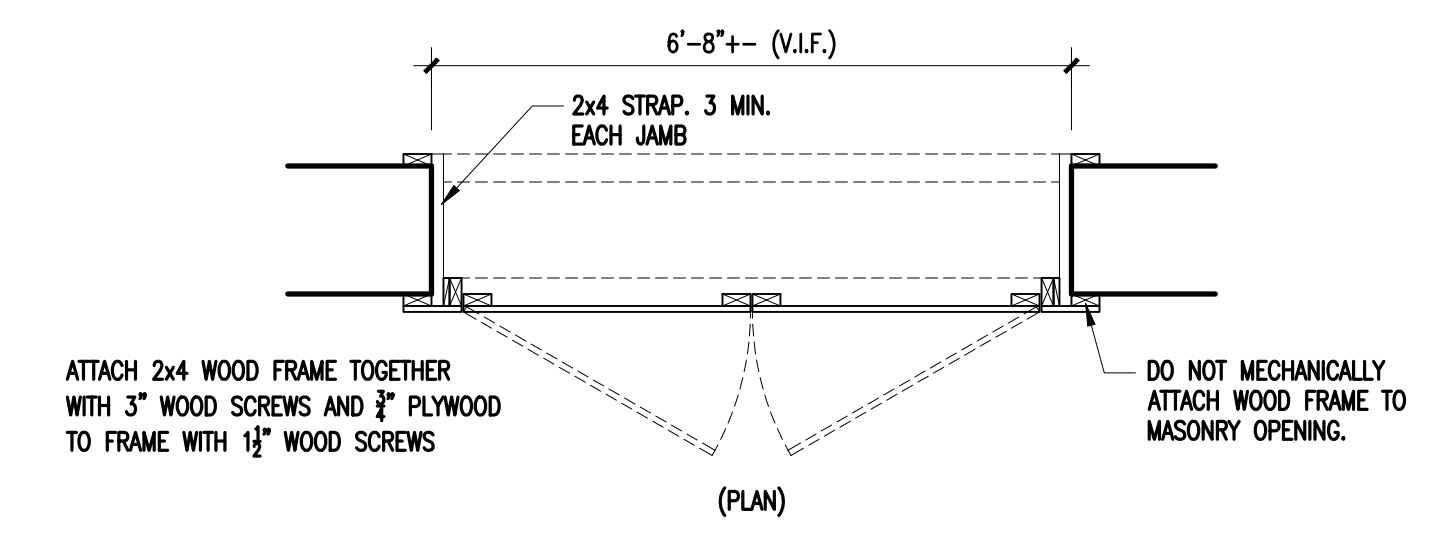
2 BARRIER 2
1/2" = 1'-0"



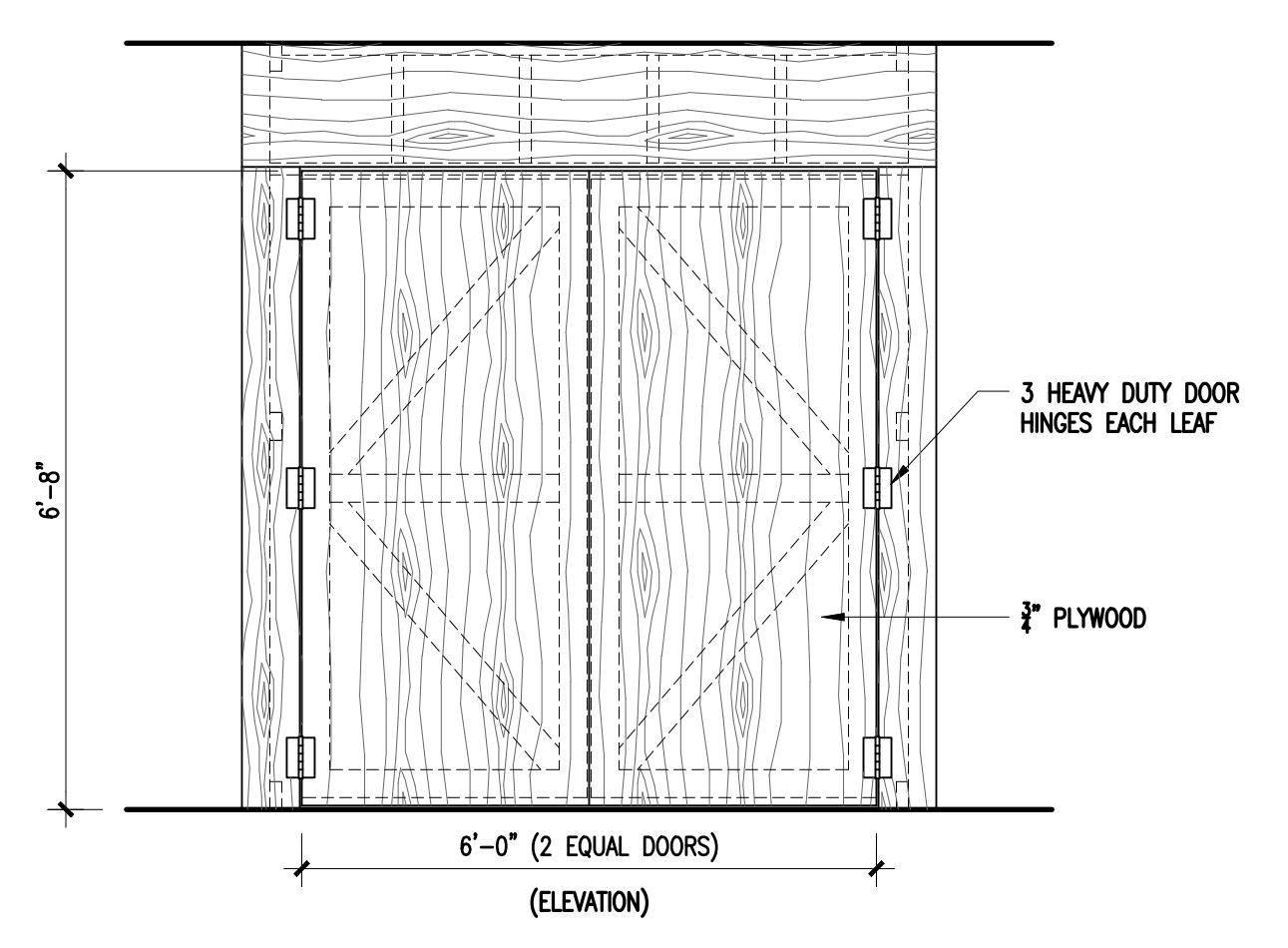
3 BARRIER 3
1/2" = 1'-0"



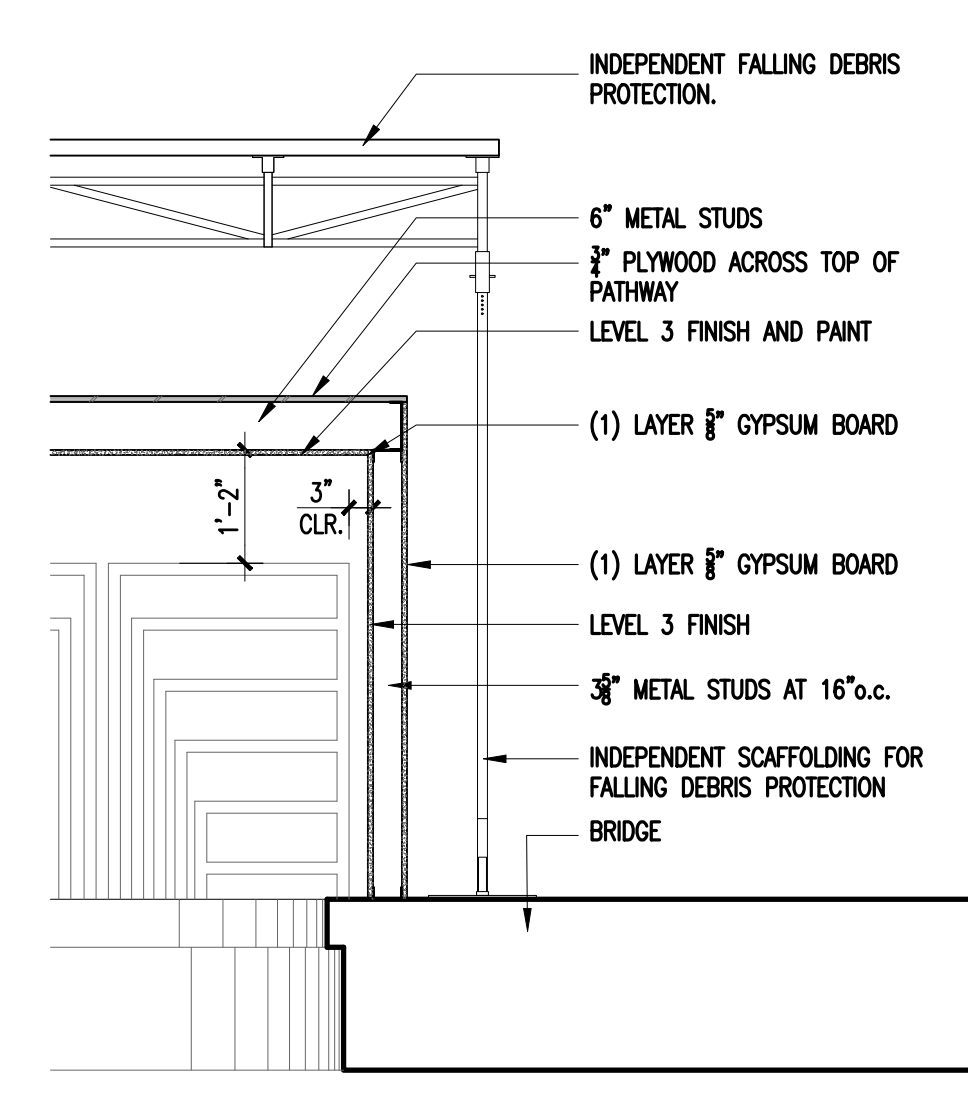
4 BARRIER 4
1/2" = 1'-0"



5 BARRIER 5
1/2" = 1'-0"



6 BARRIER 5 ELEVATION
1/2" = 1'-0"



7 BARRIER 6
1/2" = 1'-0"