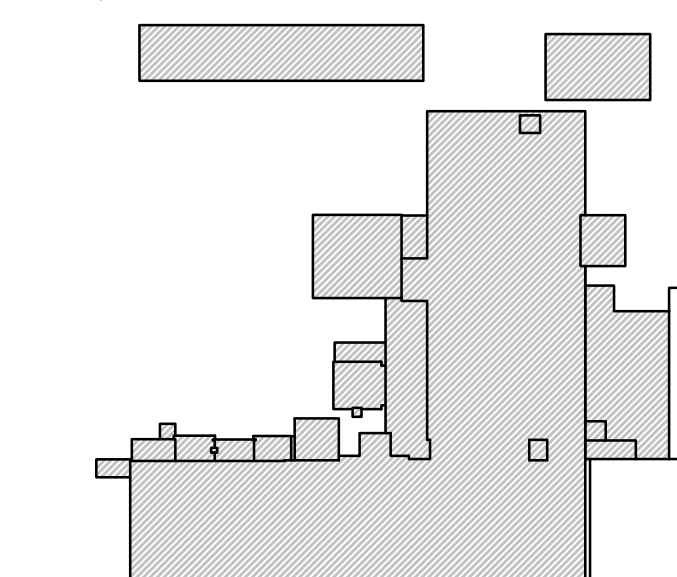


number	item	date



DUCTLESS SPLIT SYSTEM SCHEDULE

INDOOR UNIT (AIR HANDLER)										OUTDOOR UNIT						COOLING				HEATING							
TAG	CAPACITY CFM	TYPE	MINIMUM O.A.	CAPACITY (MBH)		EXTERNAL S.P. (IN. W.G.)	ELECTRICAL		MANUFACTURER	MODEL	REMARKS	TAG	COMPRESSOR		ELECTRICAL		MANUFACTURER	MODEL	REMARKS	BASE CHARGE (LBS)	OUTDOOR DB/WB (°F)		SEER	COP (BTU/H)			
				SENSIBLE	TOTAL		MCA	VOLTS/PHASE					RLA	NO.	MCA	VOLTS/PHASE					OUTDOOR DB (°F)	TOTAL (MBH)			SEER	TOTAL (MBH)	
AH-1	713	WALL MTD	---	14.8	20.6	---	18.3	FROM INDOOR	DAIKIN	FTX24NMVJU	1,2,3,4,6,7	HP-1	---	1	18.3	208/1	DAIKIN	RX24NMVJU	2.5	7.9	95/75	20.6	14.8	18	47	21.2	3.5
AH-2	713	WALL MTD	---	14.8	20.6	---	18.3	FROM INDOOR	DAIKIN	FTX24NMVJU	1,2,3,4,6,7	HP-2	---	1	18.3	208/1	DAIKIN	RX24NMVJU	2.5	7.9	95/75	20.6	14.8	18	47	21.2	3.5

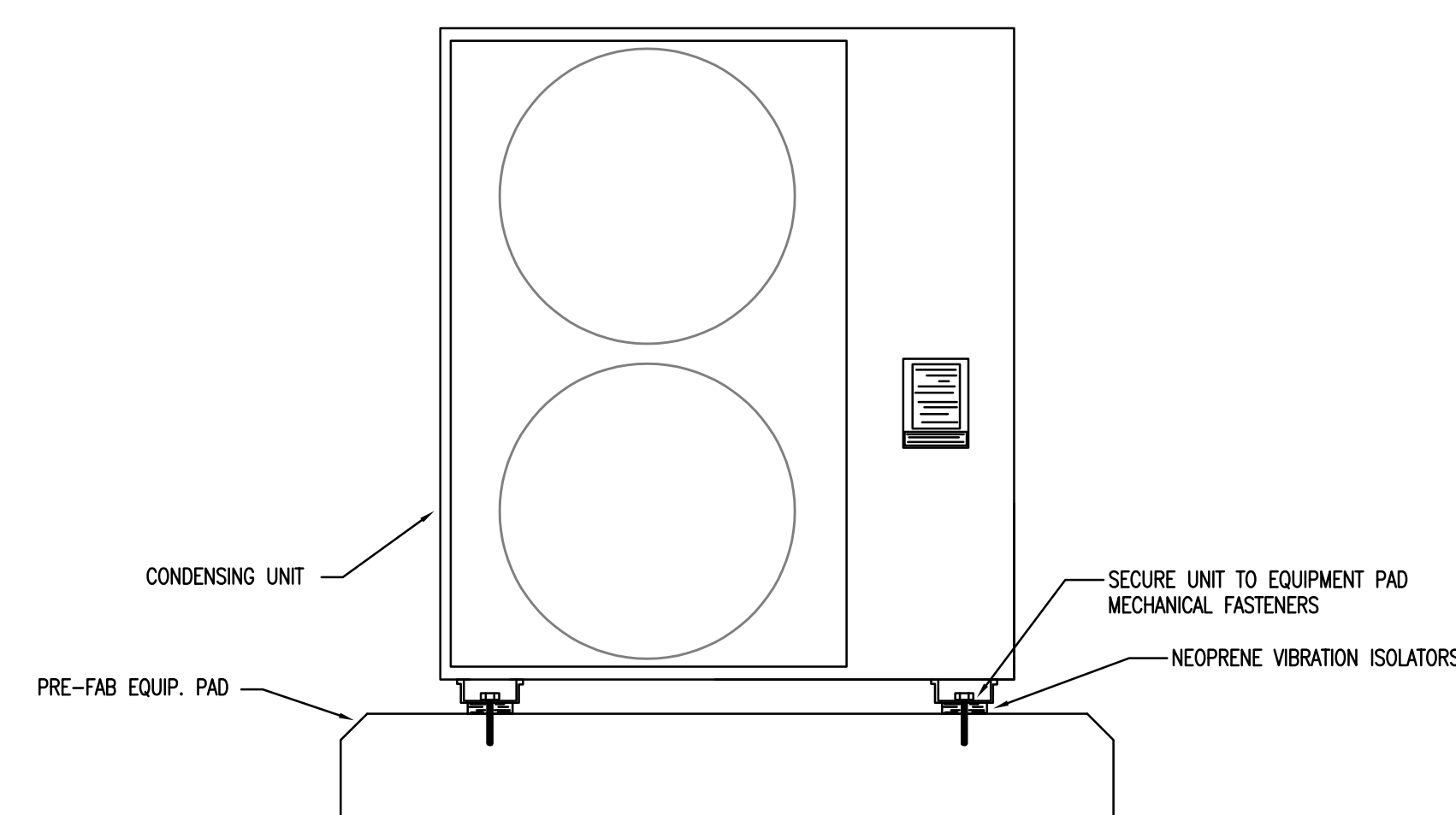
1. ROUTE REF LINES TO CORRESPONDING OUTDOOR UNIT  
2. SINGLE POINT CONNECTION  
3. PROVIDE TSTAT  
4. PROVIDE WALL MTD COND PUMP  
5. MOUNT COND UNIT ON EQUIPMENT PAD  
6. ROUTE REF LINES TO CORRESPONDING OUTDOOR UNIT  
7. ROUTE COND TO DRAIN AS SHOWN ON PLANS  
SIZE PER MFGR INSTRUCTIONS

AIR DISTRIBUTION SCHEDULE

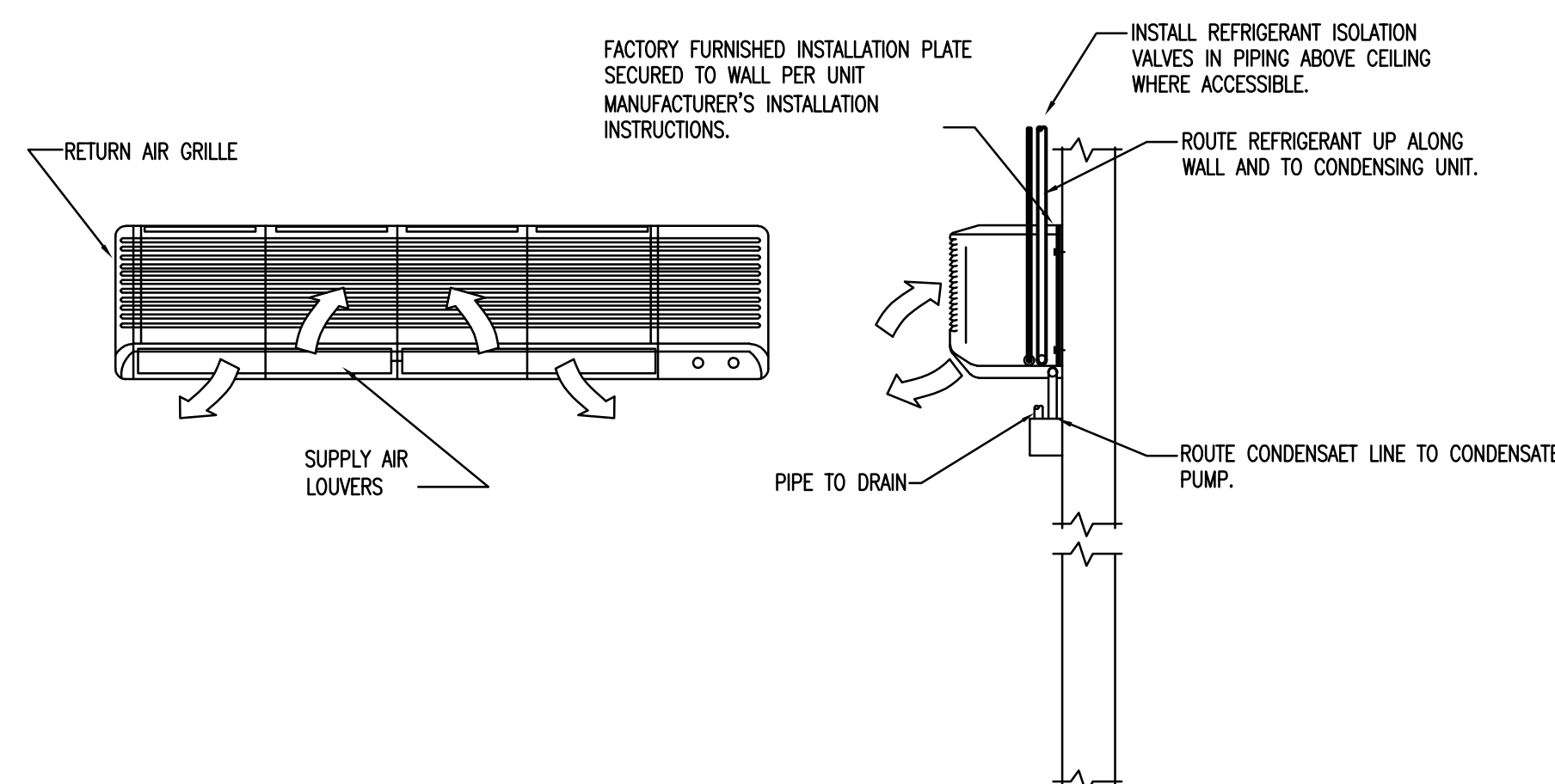
TAG	DESCRIPTION	NECK	MODULE SIZE	MOUNT	CONSTR.	MFGR	MODEL	NOTES
A	LINEAR BAR GRILLE	AS SHOWN	AS SHOWN	SIDEWALL	ALUMINUM	PRICE	LBP	1,2

NOTES:  
1. FURNISH WITH OPPOSED BLADE DAMPER  
2. ZERO DEGREE DEFLECTION - 1/4" SPACING

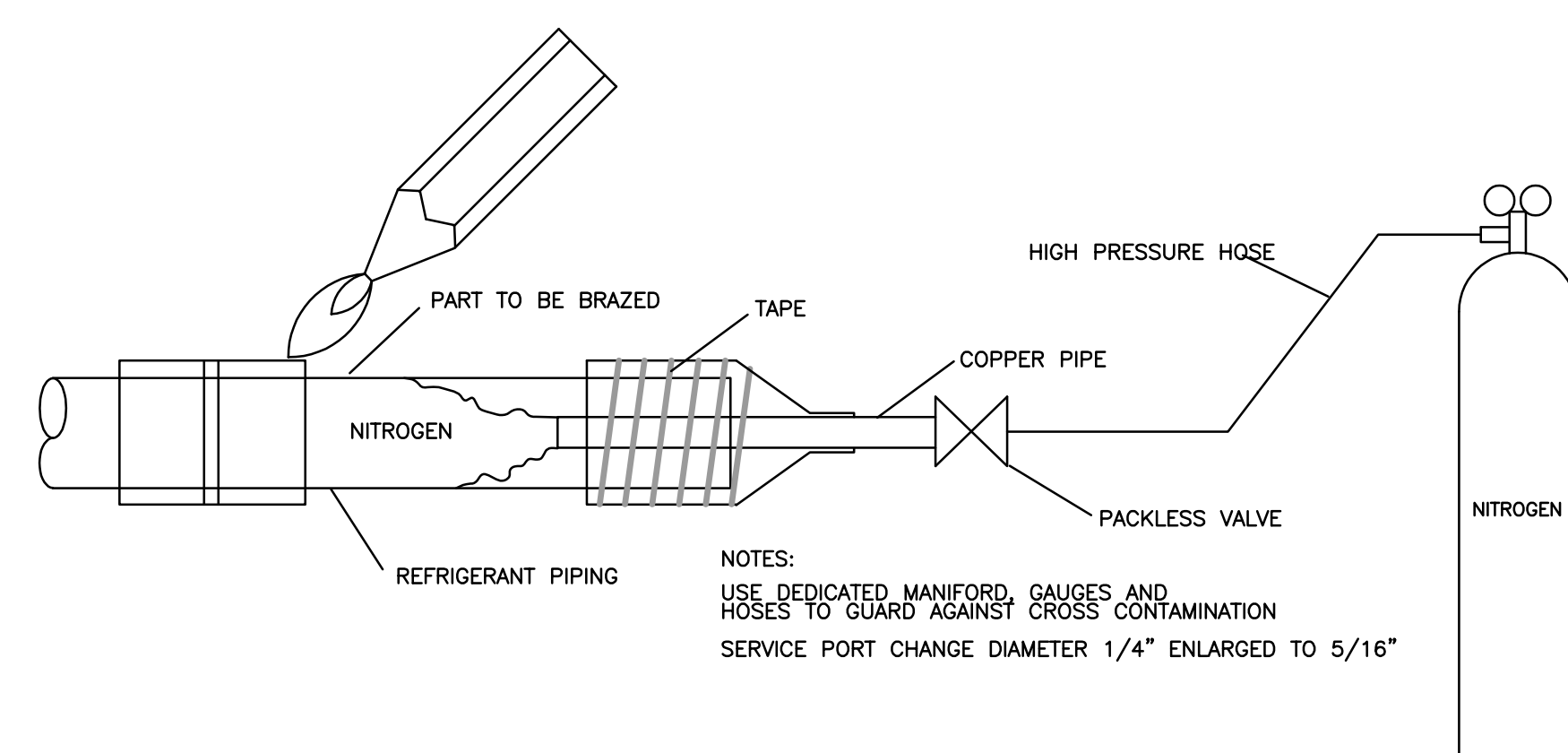
NOTE:  
REFRIGERANT LINES TO BE SUPPORTED INDEPENDENTLY OF UNIT.



1 MINI-SPLIT CONDENSING UNIT SUPPORT DETAIL  
NTS



5 WALL MOUNTED AIR HANDLER DETAIL  
NTS



NOTES:  
USE DEDICATED MANIFOLD, GAUGES AND HOSES TO GUARD AGAINST CROSS CONTAMINATION  
SERVICE PORT CHANGE DIAMETER 1/4" ENLARGED TO 5/16"

6 TYPICAL NITROGEN PURGING SET-UP DETAIL  
NTS

