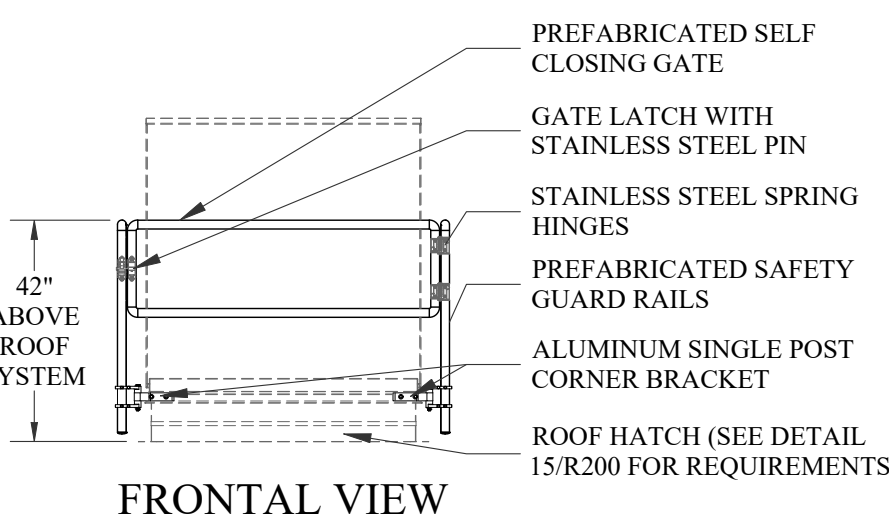
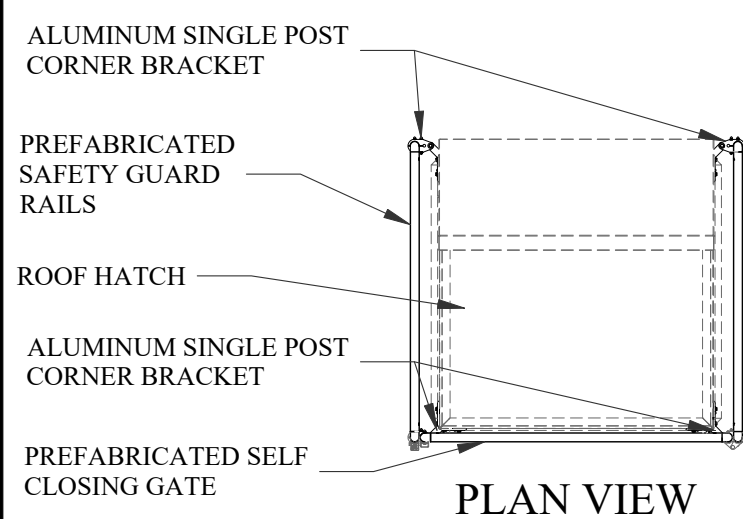
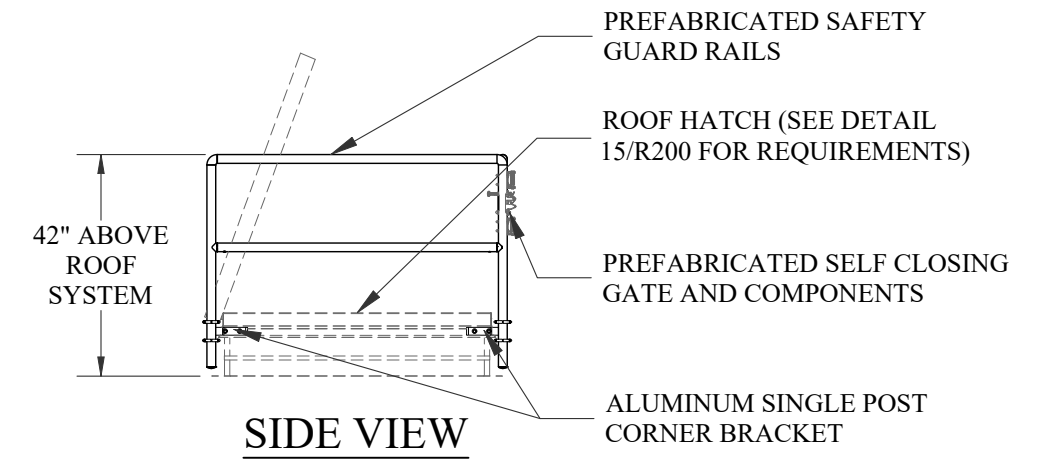
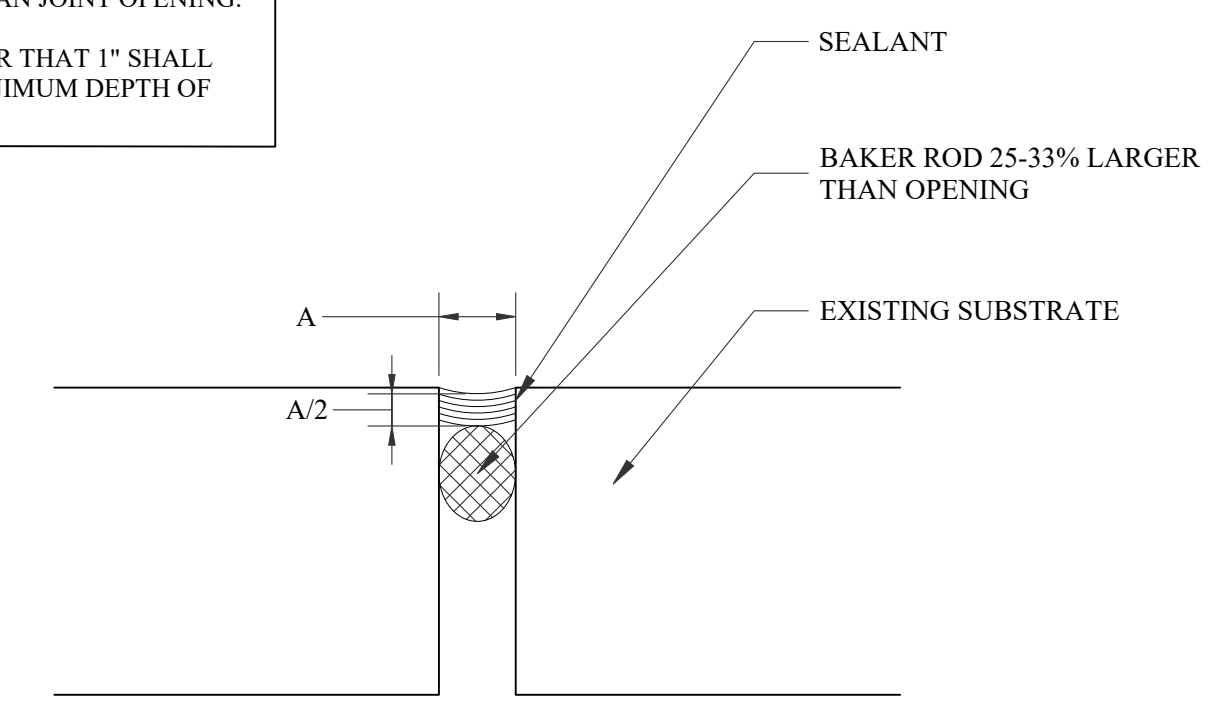


**NOTES:**  
 1. SEE DETAIL 15/R200 FOR ROOF HATCH AND ADDITIONAL REQUIREMENTS.  
 2. SAFETY GUARDRAIL SYSTEM TO MEET OR EXCEED OSHA STANDARDS AND STRENGTH REQUIREMENTS.

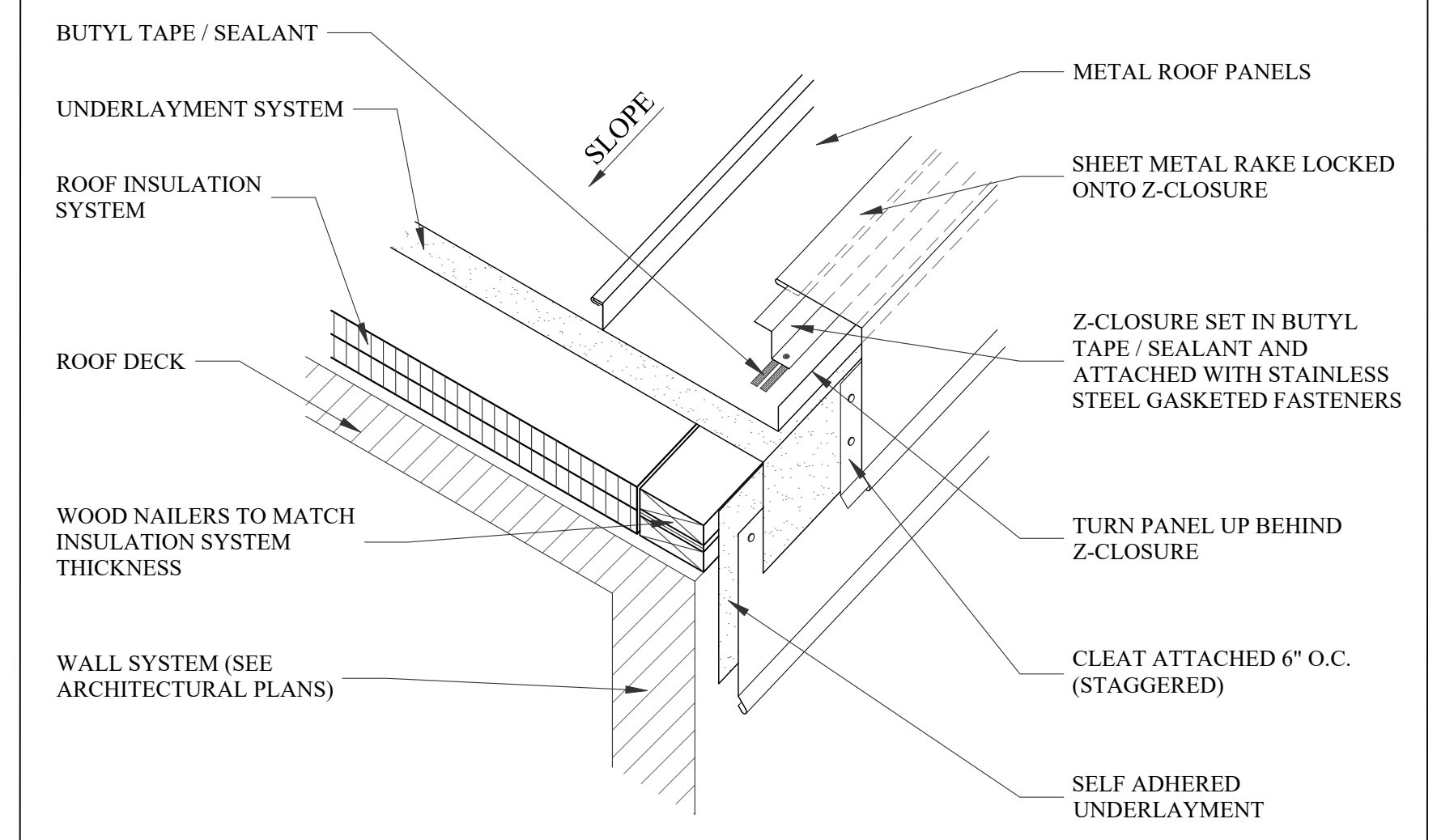


**ROOF ACCESS SAFETY GUARDRAIL SYSTEM**  
 DETAIL 49/R203

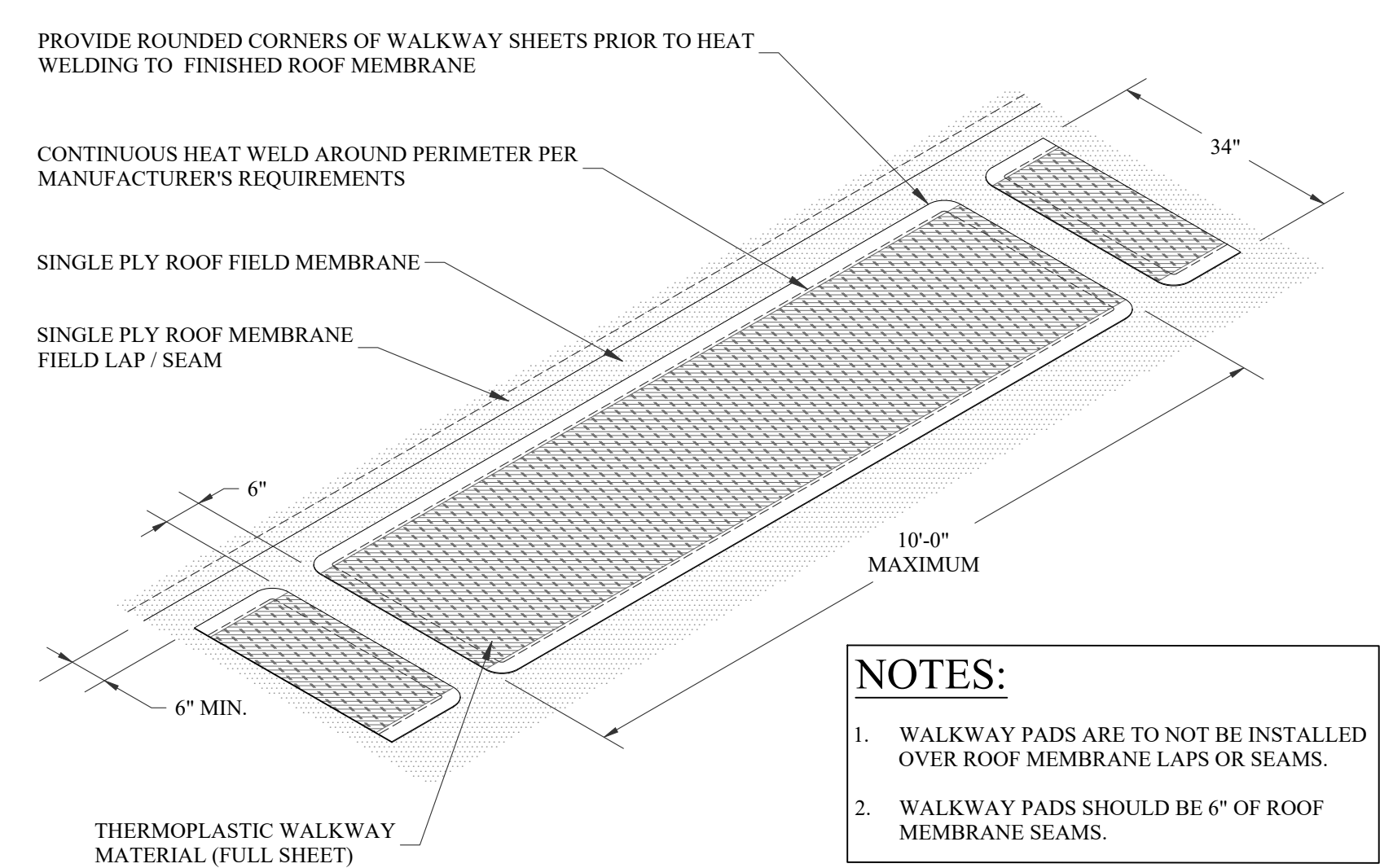
**NOTES:**  
 1. SEALANT DEPTH MUST BE A MINIMUM OF 1/4".  
 2. BACKER ROD IS TO BE APPROXIMATELY 25%-35% LARGER THAN JOINT OPENING.  
 3. JOINT WIDER THAN 1" SHALL HAVE A MINIMUM DEPTH OF 1/2".



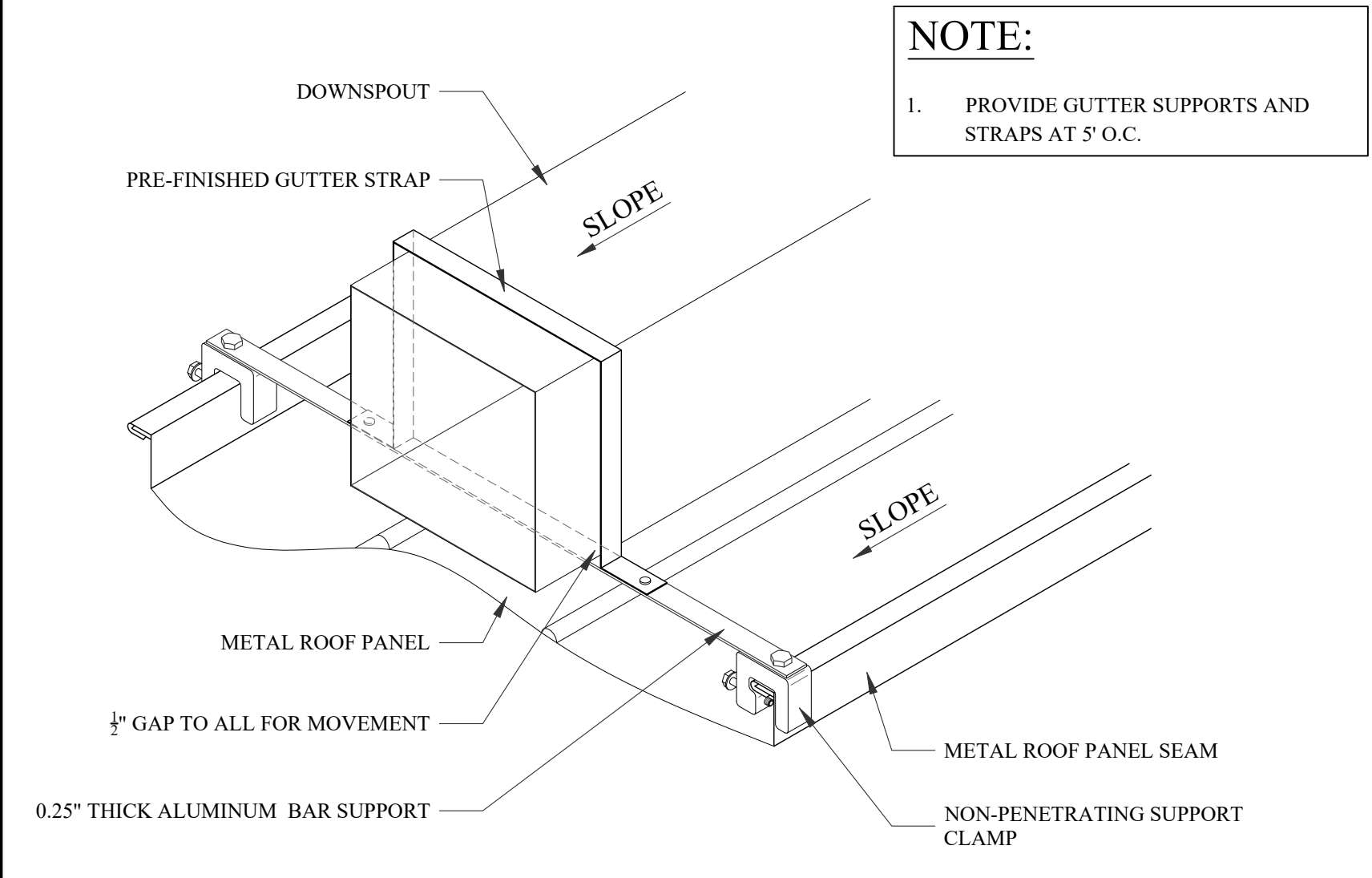
**STANDARD SEALANT JOINT**  
 DETAIL 50/R203



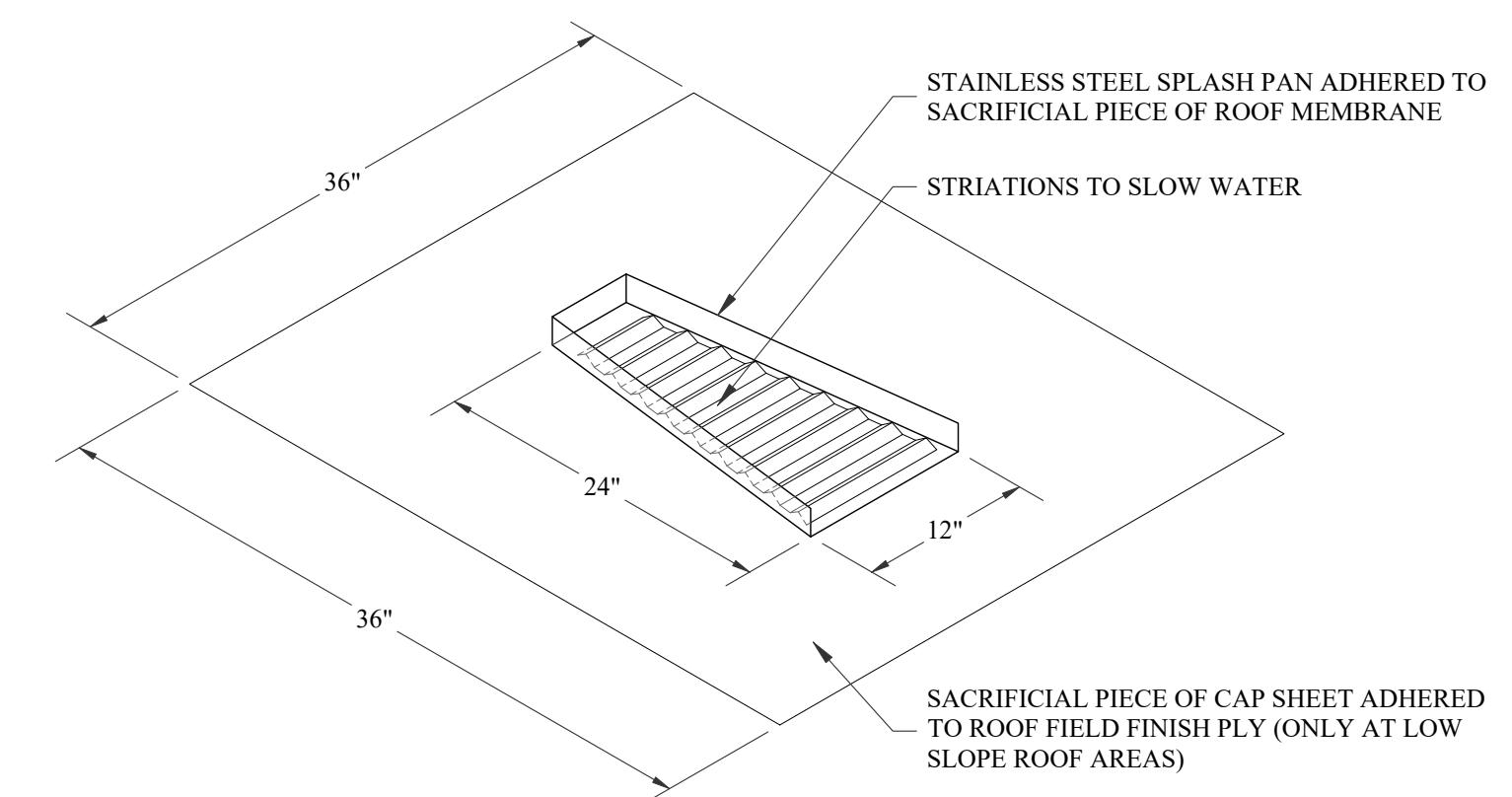
**RAKE**  
 DETAIL 51/R203



**WALKWAY PAD**  
 DETAIL 52/R203



**DOWNSPOUT SUPPORT AND STRAP**  
 DETAIL 53/R203



**SPLASH PAN**  
 DETAIL 54/R203

**DETAIL NOT USED**  
 DETAIL 55/R203

**DETAIL NOT USED**  
 DETAIL 56/R203

**DETAIL NOT USED**  
 DETAIL 57/R203

**DETAIL NOT USED**  
 DETAIL 58/R203

**DETAIL NOT USED**  
 DETAIL 59/R203

**DETAIL NOT USED**  
 DETAIL 60/R203

**DETAIL NOT USED**  
 DETAIL 61/R203

**DETAIL NOT USED**  
 DETAIL 62/R203

**DETAIL NOT USED**  
 DETAIL 63/R203

**DETAIL NOT USED**  
 DETAIL 64/R203

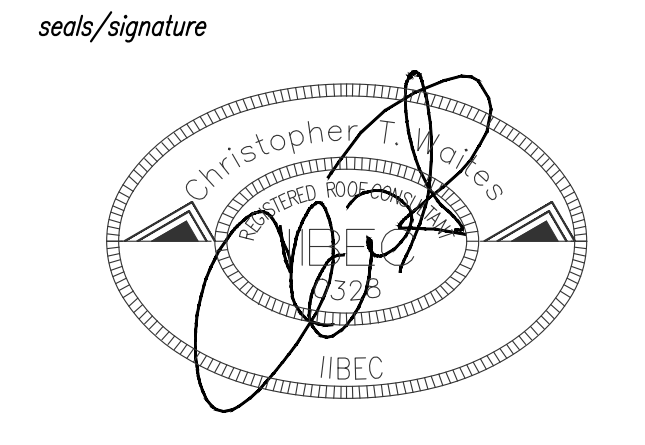
ALL RIGHTS RESERVED. THIS DRAWING AND THE DESIGN SHOWN THEREON ARE COPYRIGHTED AS PRESCRIBED BY THE LAWS OF THE UNITED STATES AND ARE THE PROPERTY OF GMK ASSOCIATES ARCHITECTURAL DIVISION. ANYONE DUPLICATING, REPRODUCING OR CAUSING TO BE REPRODUCED THE WHOLE OR PART OF THESE DRAWINGS OR THE DESIGN THEREON WITHOUT PERMISSION OF THE ARCHITECT WILL BE SUBJECT TO LEGAL ACTION.



THE SOUTH CAROLINA DEPARTMENT OF ADMINISTRATION  
 State Project #D50-6037-PD

project name  
 COLUMBIA MILLS ROOF REPLACEMENT & ATRIUM ROOF/WINDOW REPLACEMENT

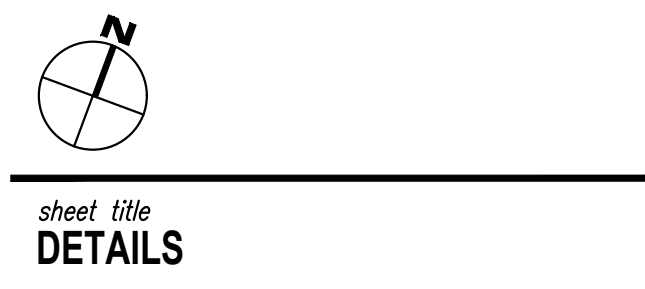
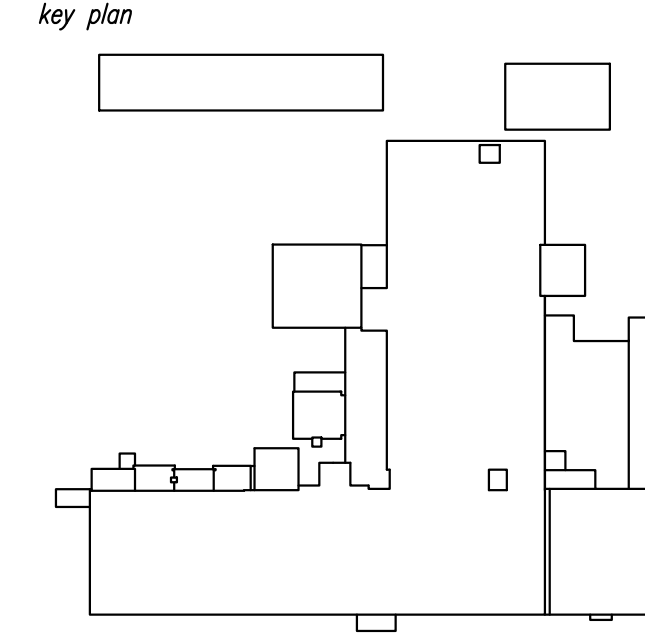
A/E project number  
 20058.01



issued for  
**CONSTRUCTION DOCUMENTS**

date  
 APRIL 14, 2022

number	item	date



sheet number  
**R203**

drawn by PD  
 checked by CW